



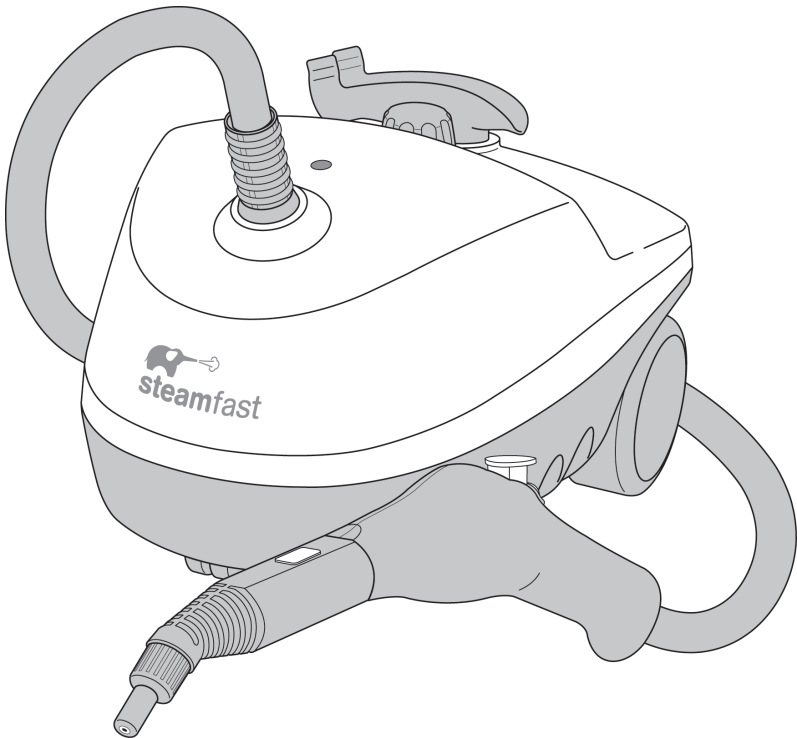
steamfast

powerful. natural. intelligent.™

Multi-Purpose Steam Cleaner

MODEL SF-370

Owner's Guide



Please read all instructions before use.

KEEP YOUR RECEIPT FOR WARRANTY PURPOSES.

IMPORTANT SAFETY INSTRUCTIONS



WARNING: To reduce risk of fire, electrical shock or injury, the following basic safety precautions should always be followed when using an electrical appliance.

WARNING: To reduce the risk of electrical shock, this appliance uses a grounded (three-pronged) plug. This plug will fit in a grounded wall outlet only one way. If the plug does not correctly fit in the outlet, contact a licensed electrician to install a proper outlet. **DO NOT** attempt to modify the plug or defeat this safety feature.

READ ALL INSTRUCTIONS BEFORE USE



DANGER

Any appliance is electrically live even when switched off. To reduce risk of electrical shock:

1. Always unplug power cord immediately after using.
2. Do not place or store unit where it can fall or be pulled into a sink or tub.
3. Do not place in, or drop into water or other liquid.
4. If unit falls into water, immediately unplug power cord. Do not reach into the water.



WARNING

To reduce risk of burns, electrocution, fire, or injury to persons:

1. Use Multi-Purpose Steam Cleaner only for its intended purpose as indicated in this manual.
2. If an extension cord is necessary, use a properly rated cord (15 ampere, 14 gauge). Use care to position extension cord where it is least likely to be damaged or tripped over during use.
3. Before plugging power cord into electrical outlet, be sure that all electrical information on rating label agrees with your power supply.
4. To reduce likelihood of circuit overload, **DO NOT** operate another high wattage appliance on the same circuit as this unit.
5. To protect against risk of electrical shock, do not immerse unit in water or other liquids. Do not use power cord as handle, let it hang over edges of counters, or be crimped or closed in doors.
6. Never yank power cord to disconnect from outlet; instead, grasp plug and pull smoothly to disconnect.
7. Do not operate unit with a damaged power cord or if the unit has been dropped or damaged. To avoid risk of electrical shock, do not disassemble unit; contact Steamfast Consumer Service for examination and repair. Incorrect reassembly can cause a risk of electrical shock when unit is used.
8. Close supervision is required for any appliance being used near children, pets and plants. Do not leave unit unattended while plugged in.
9. This unit is not intended for use by persons (including children) with reduced physical, sensory or mental capabilities, or lack of experience and knowledge, unless they have been given supervision or instruction concerning use of the unit by a person responsible for their safety.

10. Do not use unit where aerosol-based products are being used, or where oxygen is being administered.
11. Unit is only meant to be used with recommended Multi-Purpose Steam Cleaner (model SF-370) accessories. Using other types of attachments may cause damage to unit or injury.
12. If Lighted On/Off Switch does not illuminate when unit is plugged in and switch is set to “I” (on) position, unit is not operating normally. Immediately disconnect cord from power supply, then refer to troubleshooting guide on Page 12 of this manual for assistance.
13. Do not attempt to use unit without properly filling Boiler with water.
14. When filling unit, only water should be used – other cleaning agents could damage unit or cause injury. Distilled or de-mineralized water is highly recommended, in order to minimize potential build-up of mineral deposits.
15. To reduce risk of contact with hot water emitting from Steam Nozzle, check appliance before each use by positioning it away from body and turning it on. Do not operate unit if Steam Nozzle is blocked.
16. Burns can occur from touching hot plastic parts, hot water, or steam. Do not touch Steam Nozzle or attempt to connect any accessories while unit is in use. Use caution when you turn unit upside-down – there may be hot water inside.
17. When steaming any surface for the first time, it is recommended that you consult the manufacturer’s guidelines for the material being steamed. For items in question, test on an inconspicuous area before proceeding.
18. Do not allow power cord to touch hot surfaces during use. Loosely wrap cord around Cord Wrap when storing.
19. Always allow Multi-Purpose Steam Cleaner to cool (at least 30 minutes for complete cooling) and empty Boiler before storing.

SAVE THESE INSTRUCTIONS!

FOR HOUSEHOLD USE ONLY

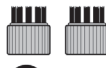
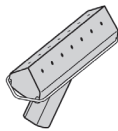
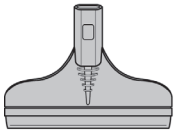
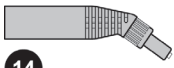
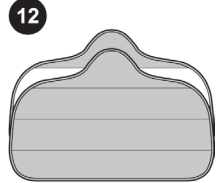
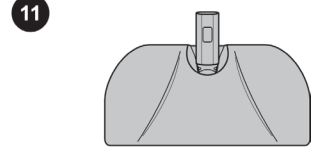
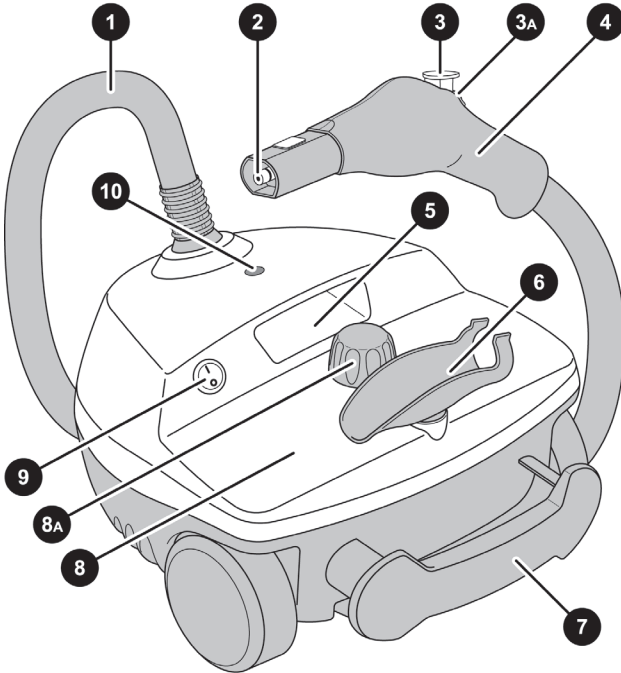
Questions or comments?

- www.steamfast.com
- consumerservice@steamfast.com
- 1-800-711-6617

Speak your mind! We invite you to review this product online:
www.steamfast.com/reviews



The following features and accessories are included with your Multi-Purpose Steam Cleaner. Carefully inspect the packing material for all parts listed below. To obtain possible missing parts, refer to **Product Support** on Page 14 of this manual for Consumer Service contact information.



UNIT FEATURES & ACCESSORIES

- 1 Steam Hose
- 2 Steam Nozzle
- 3 Steam Trigger
- 3A Steam-Lock Switch
- 4 Handle
- 5 Hand Grip
- 6 Nozzle Cradle
- 7 Cord Wrap
- 8 Boiler (internal)
- 8A Boiler Cap
- 9 Lighted On/Off Switch
- 10 Heating Indicator Light
- 11 Extension Wands (2)
- 12 Mop Head
- 13 Microfiber Pads (2)
- 14 Jet Nozzle
- 15 Squeegee
- 16 Scrub Tool
- 17 Corner Tool
- 17A Corner Tool Scrub Pad
- 17B Corner Tool Sponge Pad
- 18 Nylon Utility Brushes (2)
- 19 Brass Utility Brush
- 20 Measuring Cup

- The *Steam Hose* (1) safely channels the flow of steam from the *Boiler* to the *Steam Nozzle*.
- The *Steam Nozzle* (2) emits a powerful flow of steam when the *Steam Trigger* is pressed.
- The *Steam Trigger* (3) provides full steam-on-demand control, releasing hot, penetrating steam from the *Steam Nozzle* when pressed.
- The *Steam-Lock Switch* (3A) is pushed forward to lock the *Steam Trigger* down and provide continuous, hands-free steaming.
- The *Handle* (4) is designed to stay cool while providing the optimum amount of safety and user comfort.
- The *Hand Grip* (5) provides a convenient means for lifting the unit up stairs and over obstacles.
- The *Nozzle Cradle* (6) functions as a convenient holder for the *Steam Nozzle*.
- The *Cord Wrap* (7) is designed to hold the power cord when not in use, and includes a compartment for storing small accessories.
- The *Boiler* (8) is the internal reservoir where water is held and heated into steam. For optimal steam production, water level in the *Boiler* should not exceed 48 oz (1,420 ml) of water.
- The *Boiler Cap* (8A) is designed to safely contain steam inside the *Boiler*. The *Boiler Cap* must be unscrewed and removed in order to fill the *Boiler* with water.
- The *Lighted On/Off Switch* (9) activates and deactivates the unit, and illuminates to provide a clear visual indication of whether the unit is powered on.
- The *Heating Indicator Light* (10) illuminates while the *Boiler* is heating, then turns off when the unit is ready to begin steaming.
- The *Extension Wands* (11) connect to the *Steam Nozzle*, allowing for floor mopping as well as easier cleaning in high or hard-to-reach places.
- The *Mop Head* (12) connects to the *Extension Wands*, and is designed for steam cleaning a variety of hard floor surfaces.
- The *Microfiber Pads* (13) attach to the *Mop Head*, and are designed for removing scuffs and stains from hard floors. The *Microfiber Pads* are reusable and machine washable.
- The *Jet Nozzle* (14) focuses the flow of steam from the *Steam Nozzle*, and serves as the base to which the *Utility Brushes* and *Scrub Tool* connect.
- The *Squeegee* (15) connects to either the *Steam Nozzle* or *Extension Wands*, and can be used to clean mirrors, windows and other smooth glass surfaces.
- The *Scrub Tool* (16) connects to the *Jet Nozzle* and is designed to scrub tough dirt and scuffs from surfaces.
- The *Corner Tool* (17) connects to either the *Steam Nozzle* or *Extension Wands*, and is designed to clean in narrow spaces, such as corners and crevices. The *Corner Tool* includes two interchangeable attachments: a *Scrub Pad* (17A) and *Sponge Pad* (17B) for use on various surfaces.
- The two *Nylon Utility Brushes* (18) connect to the *Jet Nozzle*, providing extra scrubbing power for removing exceptionally tough dirt and stains. The *Nylon Utility Brushes* are ideal for use on many surfaces around the home, including carpet, ceramic tile, grouting, and more.
- The *Brass Utility Brush* (19) connects to the *Jet Nozzle* and is designed for removing tough stuck-on grease and grime from durable surfaces. The *Brass Utility Brush* is perfect for use on BBQ grills, oven racks, automobile engines, shop tools and other hard metal surfaces.

NOTE: Use careful judgement when deciding what surface to clean with the *Scrub Pads*, *Nylon Utility Brushes* and *Brass Utility Brush*. Some delicate surfaces, such as stainless steel, may be scratched or damaged by rough scrubbing materials or bristles. If you are unsure whether or not a surface will be damaged, it is recommended that you test a small inconspicuous spot before proceeding.

- The *Measuring Cup* (20) provides an easy and convenient way to consistently fill the *Boiler* with the optimum amount of water.

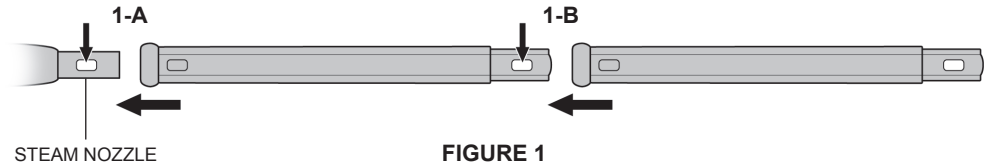


STEAM MOPPING ACCESSORIES

WARNING: Do not try to connect accessories while unit is emitting steam.

EXTENSION WANDS

1. Select one of the Extension Wands, and align rear end of wand with Steam Nozzle. Rectangular hole in wand should align with blue lock/release button on nozzle.
2. Press down on blue lock/release button. While continuing to hold button down, slide Extension Wand onto Steam Nozzle (FIGURE 1-A). Push wand over button, and continue pushing until button snaps through hole on wand.
3. Slide second Extension Wand onto end of the one you just connected, this time lining up rectangular hole of second wand with blue lock/release button of first wand. Press and hold button, and firmly push second wand onto end of first wand until button snaps through hole (FIGURE 1-B). Both Extension Wands should now be connected to the Steam Nozzle.



MOP HEAD

1. Align Mop Head with end of second Extension Wand, so that rectangular hole in Mop Head neck aligns with blue lock/release button on wand.
2. Press down on blue lock/release button. While continuing to hold button down, slide Mop Head neck onto Extension Wand (FIGURE 2-A). Press on firmly until button snaps through hole (FIGURE 2-B).

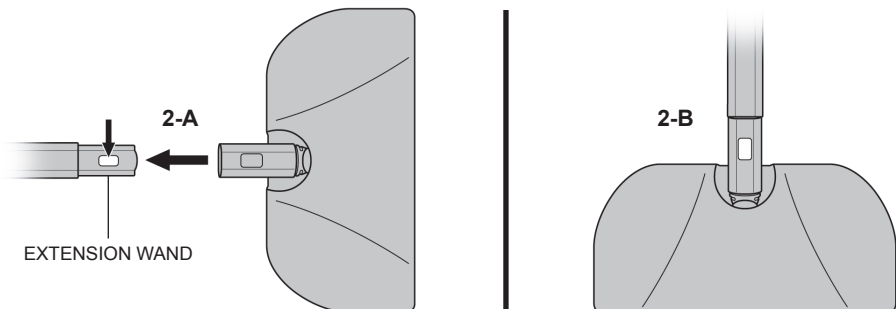


FIGURE 2

MICROFIBER PADS

1. Lay one Microfiber Pad on flat surface, with two fastener strips facing upward.
2. Align Mop Head above Microfiber Pad. Make sure Mop Head is oriented with pad as shown, and centered as best as possible (FIGURE 3-A).
3. Press Mop Head firmly down onto Microfiber Pad. Fastener strips will adhere to pad grips on underside of Mop Head. Microfiber Pad should now be attached and ready for use (FIGURE 3-B).

CAUTION: Use care when handling a recently used Microfiber Pad, as it may still be hot.

NOTE: Microfiber Pads are machine washable. To avoid picking up lint, washing separately from other fabrics is recommended. Only use liquid detergent. Avoid using any fabric softeners or bleach. Air drying is recommended; machine drying on a low heat or air dry setting is acceptable as well.

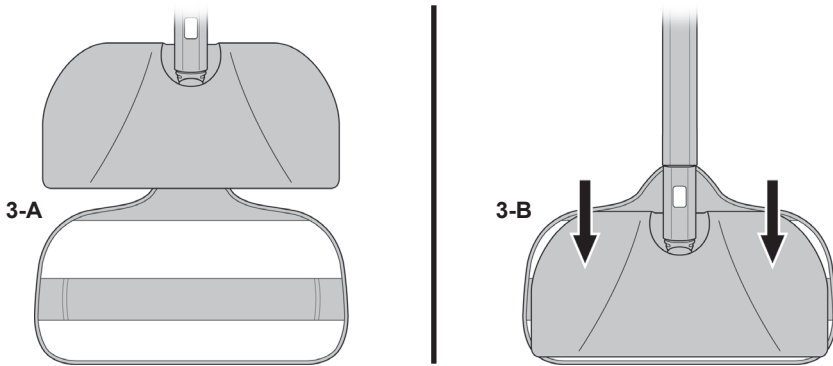


FIGURE 3

The Mop Head and Microfiber Pads are perfect for use on these hard floor surfaces:

- Sealed Hardwood
- Stained Concrete
- Sealed Laminate
- Linoleum
- Ceramic
- Granite
- Marble
- Vinyl
- Tile

IMPORTANT: Do not use on unsealed hardwood or unglazed ceramic surfaces. Surfaces that are not properly sealed may be warped or damaged by exposure to heat and moisture.

Care should also be taken when steaming sealed hardwood floors, as prolonged exposure to steam in a single spot may cause damage and discoloration. To avoid this, keep the Mop Head in constant motion on these surfaces.

Steam may remove the sheen from some floors that have been treated with wax.

Extremely rough textured floors may tear or damage Microfiber Pads.

STEAM CLEANING ACCESSORIES

WARNING: Do not try to connect accessories while unit is emitting steam.

JET NOZZLE / SQUEEGEE / CORNER TOOL

1. Select one of the three accessories (Jet Nozzle, Squeegee or Corner Tool – Jet Nozzle shown as example), and align rear end of accessory with Steam Nozzle. Rectangular hole in selected accessory should align with blue lock/release button on Steam Nozzle.
2. Press down on blue lock/release button (FIGURE 4-A). While continuing to hold button down, slide accessory onto Steam Nozzle (FIGURE 4-B). Push accessory over button, and continue pushing until button snaps through rectangular hole.

NOTE: The Jet Nozzle, Squeegee and Corner Tool can be connected to the end of an Extension Wand for reaching high or difficult spots. Connect the Extension Wand (or wands) as outlined on Page 6, then connect your desired accessory to the wand in the same way as you would normally connect it to the Steam Nozzle.

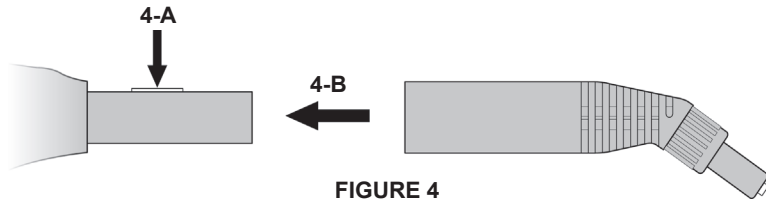


FIGURE 4

CORNER TOOL PADS

NOTE: This procedure applies to the Corner Tool Scrub Pad and Corner Tool Sponge Pad.

1. Swing Corner Tool latch arm to open position (FIGURE 5-A).
2. Press desired pad against Corner Tool (FIGURE 5-B). The pad should wrap around angled edge, covering all steam holes.
3. While continuing to hold pad against Corner Tool, swing latch arm over pad to locked position (FIGURE 5-C). This will secure the pad in place.

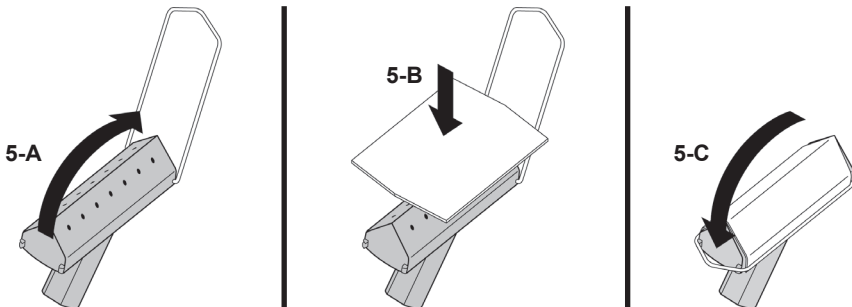


FIGURE 5

UTILITY BRUSHES

NOTE: The Nylon Utility Brushes and Brass Utility Brush are all attached in the same manner. A Nylon Utility Brush is illustrated in FIGURE 6 as an example.

1. Align selected Utility Brush with Jet Nozzle. Guide key inside of Utility Brush should line up with key slot on Jet Nozzle tip (FIGURE 6-A).
2. Firmly press Utility Brush onto Jet Nozzle (FIGURE 6-B).

CAUTION: Make sure Utility Brush is pushed as far as possible onto Jet Nozzle tip to ensure that it is seated securely. This will eliminate steam leaks and prevent Utility Brush from being forced off of Jet Nozzle by steam pressure.

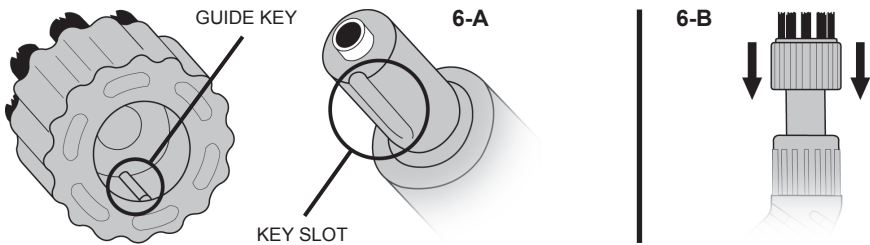


FIGURE 6

SCRUB TOOL

1. Place Scrub Tool over tip of Jet Nozzle, and firmly press it on to Jet Nozzle as far as possible (FIGURE 7). This will help to prevent steam leakage.
2. To remove Scrub Tool, simply grip it firmly and pull it off of Jet Nozzle.

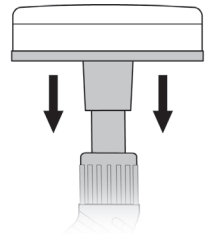


FIGURE 7

ORDERING ACCESSORIES & PARTS

Replacement accessories and parts for your Multi-Purpose Steam Cleaner (model SF-370) may be ordered through our web site:

www.steamfast.com

You may also contact Consumer Service directly:

consumerservice@steamfast.com or 1-800-711-6617

FILLING BOILER

1. Place Multi-Purpose Steam Cleaner on a flat, level surface.
2. Make sure Lighted On/Off Switch is set to "O" (off) position and power cord is unplugged from electrical outlet.
3. Cautiously remove Boiler Cap by unscrewing it in a counter-clockwise direction, and lift it off.



CAUTION: Refer to refilling procedure below for additional safety precautions that must be taken when refilling the unit after it has been in use.

4. Boiler should always be emptied after each use. If it was not emptied after the previous use, empty it now – this will make it easier to fill with the correct amount of water.
5. Fill Measuring Cup to maximum fill line (16 oz / 473 ml) with water.

NOTE: In order to significantly reduce mineral build-up and prolong the life of your Multi-Purpose Steam Cleaner, use of distilled or de-mineralized water in the unit is highly recommended. Refer to Page 12 for more information about mineral build-up.

6. Carefully pour water from Measuring Cup into Boiler through fill hole.
7. Depending on how long you intend to steam, you may repeat steps 5 & 6 up to two more times, up to a maximum of 48 oz (1,420 ml) of water. See chart for a comparison of the amount of water vs. approximate steam time.

| Amount of Water | Duration of Steam |
|------------------|----------------------|
| 16 oz (473 ml) | Approximately 15 min |
| 32 oz (946 ml) | Approximately 30 min |
| 48 oz (1,420 ml) | Approximately 45 min |

NOTE: Do not exceed the Boiler's maximum capacity of 48 oz (1,420 ml). This will ensure optimum flow of steam with minimal dripping water.

8. Replace Boiler Cap, screwing it in a clockwise direction to tighten. Make sure it is screwed on securely to prevent hot water or steam from escaping.

REFILLING BOILER



If unit has been in use, always use the following safety precautions before removing the Boiler Cap to add water:

- Allow unit to cool for 5-10 minutes.
- Press and hold Steam Trigger to release all remaining steam. **Steam can remain pressurized inside Boiler for up to an hour after use.**

WARNING: Failure to follow these precautions may result in burns from escaping steam when the Boiler Cap is removed.

STEAM CLEANING

NOTE: Be sure that Boiler has been filled and that all desired accessories are connected before following these steps.

1. For first time use, remove protective plastic cover from electrical plug. Plug power cord into a convenient electrical outlet.
2. Switch Lighted On/Off Switch to “I” (on) position. Heating Indicator Light will immediately illuminate, indicating that unit is heating.
3. After approximately 2-8 minutes (depending on how much water is in Boiler), Heating Indicator Light will turn off, indicating that unit is fully heated and ready to begin steaming.
4. Direct Steam Nozzle (and any connected accessories) towards surface you wish to steam, and press Steam Trigger.

CAUTION: Always be sure that Steam Nozzle and any accessories are pointed in a safe direction (away from yourself, other people, pets, and plants) before pressing Steam Trigger.

5. Hold Steam Trigger down for a continuous flow of steam. You may also slide the Steam Lock Trigger forward while pressing the Steam Trigger to lock it down. This will allow a continuous flow of steam without need of holding the Steam Trigger down manually.
6. Using a slight back-and-forth motion over the area you are steaming will further enhance the cleaning process. Wipe steamed areas with a clean cloth to remove loosened dirt and grime. Wiping the area while it is still wet is recommended, but use caution when wiping surfaces such as metal that may still be hot.

NOTE: During use, the Heating Indicator Light may illuminate. This is normal. If you notice a drop in steam pressure, release Steam Trigger until Heating Indicator Light turns off again.

7. To effectively kill bacteria and other microorganisms, hold Steam Nozzle (and any connected accessories) approximately 1/2 inch from surface and press Steam Trigger. Keep Steam Trigger held and concentrate steam on the same spot for at least 5 seconds.
8. Once steaming tasks are complete, immediately set Lighted On/Off Switch to “O” (off) position and unplug grounded power cord from electrical outlet. Follow steps under **Proper Storage** procedure on Page 12 of this manual.

STEAM MOPPING

NOTE: Be sure that Boiler has been filled and that all steam mopping accessories are connected before following these steps.

It is recommended to sweep or vacuum hard floors before mopping.

1. Follow STEPS 1-3 of **Steam Cleaning** section above.

Refer to Page 7 for a listing of hard floor surfaces that are recommended for cleaning with the Multi-Purpose Steam Cleaner.

2. For best results, use a steady back-and-forth motion over floor surface, pushing the Mop Head away and pulling it back towards you. Work your way backwards over the floor, in order to avoid walking over freshly mopped areas.

NOTE: To avoid warping or damage caused by heat and moisture, do not use on unsealed hardwood or unglazed ceramic surfaces. Steam may remove the sheen from some floors that have been treated with wax.

3. To effectively kill bacteria and microorganisms, repeatedly mop a single small area (approximately 3' x 3' for best results) for at least 2 minutes.
4. The Microfiber Pad will absorb dirt and moisture during mopping. However, when you are finished you may find some residual moisture has been left behind. In this case, it is recommended to allow floor time to air-dry. A fan may be directed towards mopped area to facilitate drying.



PROPER STORAGE

Preparing your Multi-Purpose Steam Cleaner for storage is quick and simple. When you have finished your steaming tasks, follow the steps listed below.

1. Set Lighted On/Off Switch to “O” (off) position and unplug power cord from electrical outlet.
2. Allow unit to cool (30 minutes for complete cooling).
3. Press and hold Steam Trigger to release all remaining steam pressure.
4. Remove all accessories from unit.
5. Unscrew and remove Boiler Cap. Drain any remaining water from Boiler into a sink or tub – this will help to minimize mineral build-up and prevent over-filling during your next use. Loosely replace Boiler cap.

NOTE: Do not overtighten Boiler Cap when storing, as this may make it difficult to remove during next use.

6. Store accessories safely away - smaller accessories can be conveniently stored in the storage compartment located on the Cord Wrap.
7. Loosely wrap power cord around Cord Wrap and store Multi-Purpose Steam Cleaner in a cool, dry location.

CARE & MAINTENANCE

A common maintenance need for steam appliances is the removal of build-up caused by high mineral content in many municipal water supplies. This mineral build-up may limit the effectiveness and reduce the life of your Multi-Purpose Steam Cleaner.

The best way to minimize mineral build-up is to use distilled or de-mineralized water when using your Multi-Purpose Steam Cleaner. If you are unable to use distilled water, it is recommended that the following procedure be followed monthly to help remove any mineral build-up:

To remove mineral build-up:

1. Set Lighted On/Off Switch to “O” (off) position and unplug power cord from electrical outlet.
2. Allow unit to cool (30 minutes for complete cooling).
3. Press and hold Steam Trigger to release all remaining steam pressure.
4. Remove all accessories from unit.
5. Unscrew and remove Boiler Cap, and drain any remaining water from Boiler into a sink or tub.
6. Fill Measuring Cup with 16 oz (474 ml) distilled vinegar. Carefully pour vinegar into Boiler.
7. Slowly shake or move unit around to agitate vinegar.
8. Allow to stand for at least 40 minutes, or more if possible.
9. Drain vinegar from Boiler.
10. Rinse Boiler with fresh water, drain and repeat until vinegar odor dissipates.
11. Loosely replace Boiler Cap and continue with normal storage procedure, as outlined in **Proper Storage** section above.



| PROBLEM | POSSIBLE CAUSE | SOLUTION |
|---|---|---|
| Unit fails to heat up. Lighted On/ Off Switch DOES NOT illuminate when set to "I" (on) position. | Unit is not plugged in. | Plug power cord into electrical outlet. |
| | Household circuit breaker / ground fault interrupter has tripped or blown a fuse. | Reset circuit breaker / ground fault interrupter, or replace fuse. If you need assistance, contact a licensed electrician. |
| | Unit is damaged or otherwise in need of repair. | Immediately cease usage and unplug. Contact Consumer Service for further assistance (see Page 14 for details). |
| Unit fails to heat up. Lighted On/ Off Switch DOES illuminate when set to "I" (on) position. NOTE: Always allow sufficient time for unit to heat up before pressing Steam Trigger. | Boiler is empty. | Refer to Filling Boiler procedure on Page 10. |
| | Mineral build-up in unit. | Refer to Care & Maintenance section on Page 12 for details. |
| | Unit is damaged or otherwise in need of repair. | Immediately cease usage and unplug. Contact Consumer Service for further assistance (see Page 14 for details). |
| Steam output is weak or intermittent. | Water level in Boiler is running low. | Refer to Refilling Boiler procedure on Page 10. |
| | Mineral build-up in unit. | Refer to Care & Maintenance section on Page 12 for details. |
| Excessive amount of water in steam. NOTE: Unit produces moist steam – it is normal for steam to contain some amount of water. | Water condensation in Steam Hose. | Point nozzle towards sink, tub or ground and shake while pressing Steam Trigger. Continue until excess water is released. |
| | Boiler has been overfilled. | Filling Boiler with more than 48 oz (1,420 ml) of water interferes with steam production, resulting in water condensation in steam. Drain some water out of Boiler. Always use included Measuring Cup to fill Boiler with correct amount of water (see Page 10 for details). |
| | Unit has not heated to full operating temperature. | Wait until Heating Indicator Light turns off to begin steaming. |
| Accessories do not stay firmly connected to Steam Nozzle / Jet Nozzle. | Accessories not properly installed. | Check to make sure that accessories are properly connected, per procedures on Pages 6-9. |
| Floor surfaces appear cloudy or streaky after steaming. | Microfiber Pad is dirty. | Replace Microfiber Pad with a clean one. |
| | Hard water residue on floor. | Switch to distilled or de-mineralized water. |



CONSUMER SERVICE

For problems with your Multi-Purpose Steam Cleaner, please refer to the troubleshooting guide located on Page 13 of this manual. Additional inquiries should be directed to our consumer support services through our Web site, www.steamfast.com.

If you do not have internet access, you may also contact our Consumer Service Department by telephone, at **1-800-711-6617**.

NOTE: In order for our Consumer Service representatives to help you as quickly and efficiently as possible, please have the following information ready before calling:

- Purchase information (where and when you purchased this product)
- Copy of purchase receipt / proof of purchase
- Product serial number (located on electrical specification label on bottom of unit)
- Date code (4-digit number located on electrical specification label)

For information regarding your 1 year limited warranty, refer to Page 15 of this manual.

PRODUCT SPECIFICATIONS

| | |
|------------------------------|--|
| MODEL | SF-370 |
| VOLTAGE | 120VAC 60Hz |
| WATTAGE | 1500W |
| AMPERAGE | 12.5A |
| WATER CAPACITY | 48 OZ (1,420 ML) |
| HEATING TIME | 8 MIN (APPROXIMATE) |
| CONTINUOUS STEAM TIME | 45 MIN (APPROXIMATE) |
| UNIT WEIGHT | 8.4 LBS (3.8 KG) |
| UNIT DIMENSIONS | 15.4" (39.1 CM) x 12.0" (30.5 CM) x 9.5" (24.1 CM) |
| POWER CORD LENGTH | 15.4' (470.0 CM) |



steamfast

Warranty Information

1 YEAR LIMITED WARRANTY

Steamfast, a division of Vornado Air LLC, ("Steamfast") warrants to the original consumer or purchaser this Steamfast Multi-Purpose Steam Cleaner SF-370 ("Product") is free from defects in material or workmanship for a period of one (1) year from the date of purchase. If any such defect is discovered within the warranty period, Vornado, at its discretion, will repair or replace the Product at no cost if the Product is returned to Steamfast postage-paid. Repairs not covered by the warranty or outside the warranty period will require a fee to cover the cost of materials, handling and shipping.

This warranty does not apply to defects resulting from abuse of the Product, modification, alteration, repair or service of the Product by anyone other than Steamfast, mishandling, improper maintenance, commercial use of the Product, damages which occur in shipment or are attributed to acts of God.

REPAIR OR REPLACEMENT AS PROVIDED UNDER THIS WARRANTY IS THE EXCLUSIVE REMEDY OF THE CONSUMER. STEAMFAST SHALL NOT BE LIABLE FOR ANY INCIDENTAL OR CONSEQUENTIAL DAMAGES FOR BREACH OF ANY EXPRESS OR IMPLIED WARRANTY ON THIS PRODUCT. EXCEPT TO THE EXTENT PROHIBITED BY APPLICABLE LAW, ANY IMPLIED WARRANTY OF MERCHANTABILITY OR FITNESS FOR A PARTICULAR PURPOSE ON THIS PRODUCT IS LIMITED IN DURATION TO THE DURATION OF THIS WARRANTY.

Some states do not allow the exclusion or limitation of incidental or consequential damages, or allow limitations on how long an implied warranty lasts, so the above limitations or exclusions may not apply to you. This warranty gives you specific legal rights, and you may have other rights that vary from state to state.

For warranty or repair service, call 1-800-711-6617 or email consumerservice@steamfast.com to obtain a Return Authorization ("RA") form. Please have or include your Product's model number, date code and serial number, as well as your name, address, city, state, zip code and phone number when contacting Steamfast for warranty service. You may be required to provide the original sales receipt. For your records: Staple or attach your original sales receipt to this Owner's Guide. Please also write your Product's serial number below (located on product specs decal).

Serial No. _____

After receiving the RA form, ship your Product to:

Steamfast
Attn: Warranty & Repair
415 East 13th
Andover, KS 67002

To assure proper handling, packages must be clearly marked with the RA number. Packages not clearly marked with the RA number may be refused at the receiving dock.

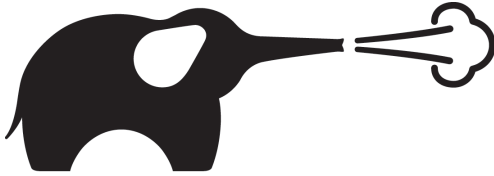
Please allow 1-2 weeks for repair and return of your Product after the Product is received.

Product registration available online at www.steamfast.com

© 2011 Vornado Air LLC • Andover, KS 67002
Specifications subject to change without notice.
Steamfast® is a trademark owned by Vornado Air LLC.
Manufactured in China.

Steamfast Consumer Service

W: www.steamfast.com | P: 1-800-711-6617 | E: consumerservice@steamfast.com



steamfast

powerful. natural. intelligent.™

review this product online
www.steamfast.com/reviews

Steamfast

415 East 13th, Andover, KS 67002

1-800-711-6617 | www.steamfast.com | consumerservice@steamfast.com

Patent D623,366
V110216



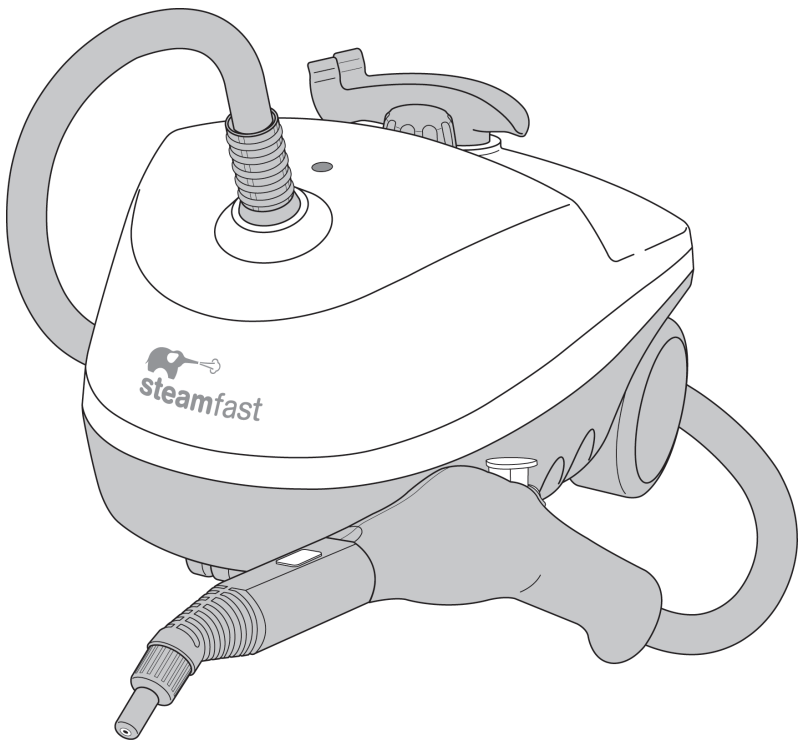
steamfast

powerful. natural. intelligent.™

Limpiadora a Vapor de Usos Múltiples

MODELO SF-370

Guía del Propietario



Lea todas las instrucciones antes de utilizar el vaporizador.

CONSERVE SU RECIBO PARA LA GARANTÍA.

INSTRUCCIONES IMPORTANTES DE SEGURIDAD



ADVERTENCIA: A fin de reducir el riesgo de incendio, descarga eléctrica o lesiones, se deben seguir siempre las siguientes precauciones de seguridad básicas al utilizar un artefacto eléctrico.

ADVERTENCIA: A fin de reducir el riesgo de descarga eléctrica, este artefacto utiliza un enchufe con conexión a tierra (de tres clavijas). Este enchufe podrá insertarse en un tomacorriente de pared de una sola manera. Si el enchufe no calza correctamente en el tomacorriente, comuníquese con un electricista autorizado para instalar un tomacorriente apropiado. NO intente modificar el enchufe ni evadir esta característica de seguridad.

LEA TODAS LAS INSTRUCCIONES ANTES DE UTILIZAR LA UNIDAD



PELIGRO

Todos los artefactos están energizados incluso cuando están desenchufados. Para reducir el riesgo de descarga eléctrica, siga los pasos que se indican a continuación:

1. Desenchufe siempre el cable de alimentación inmediatamente después de usar la unidad.
2. No coloque ni guarde la unidad donde pueda caerse o donde se la pueda arrojar a un fregadero o bañera.
3. No la coloque ni la deje caer en agua ni otros líquidos.
4. Si la unidad se cae en el agua, desenchufe de inmediato el cable de alimentación. No intente sacarla del agua.



ADVERTENCIA

Para reducir el riesgo de quemaduras, electrocución, incendio o lesiones a personas, siga los pasos que se indican a continuación:

1. Utilice el Limpiadora a Vapor de Usos Múltiples únicamente con el fin previsto, tal como se indica en este manual.
2. Si necesita un prolongador, utilice un cable con la clasificación correcta (15 amperios, calibre 14). Tenga la precaución de colocar el prolongador en un lugar donde no pueda dañarse ni donde usted corra el riesgo de tropezarse con él mientras utiliza la unidad.
3. Antes de enchufar el cable de alimentación en el tomacorriente, asegúrese de que toda la información eléctrica de la etiqueta de clasificación coincida con su suministro eléctrico.
4. A fin de reducir la probabilidad de sobrecarga, NO enchufe otro artefacto de alto vatiaje en el mismo circuito que esta unidad.
5. Para evitar el riesgo de descarga eléctrica, no sumerja la unidad en agua ni otros líquidos. No utilice el cable como mango, no permita que cuelgue sobre los bordes de mesadas ni que se doble o quede presionado por puertas.
6. Nunca tire con fuerza del cable de alimentación para desconectarlo del tomacorriente; en su lugar, tome el enchufe y tire de él para desconectarlo.
7. No haga funcionar la unidad con un cable de alimentación dañado o si se cayó o se dañó la unidad. Para evitar el riesgo de descarga eléctrica, no desarme la unidad. Comuníquese con el Servicio de Atención al Cliente de Steamfast para que examine y repare la unidad. Volver a armar la unidad de manera incorrecta puede crear riesgo de descarga eléctrica cuando se utiliza la unidad.
8. Se deben supervisar todos los artefactos que se utilicen cerca de niños, mascotas y plantas. No deje la unidad sin supervisión mientras esté enchufada.
9. Esta unidad no está diseñada para que la utilicen personas (incluso niños) con capacidades físicas, sensoriales o mentales reducidas, o que no tengan experiencia ni conocimiento, a menos que hayan recibido supervisión o indicaciones acerca del uso de la unidad por parte de una persona responsable de su seguridad.

10. No use la unidad si se están usando productos a base de aerosol o si se está administrando oxígeno.
11. La unidad está diseñada para utilizarse únicamente con los accesorios recomendados para la Limpiadora a Vapor de Usos Múltiples (Modelo SF-370). Usar otro tipo de artefactos puede dañar la unidad o causar lesiones.
12. Si el Interruptor de Encendido y Apagado no se ilumina cuando se enchufa la unidad y se encuentra en la posición "I" (encendido), la unidad no está funcionando normalmente. Desconecte inmediatamente el cable de la fuente de suministro eléctrico y luego consulte la guía de resolución de problemas en la página 12 de este manual para obtener ayuda.
13. No intente utilizar la unidad sin antes llenar correctamente el Calentador con agua.
14. Al llenar la unidad, sólo debe usar agua; otros agentes de limpieza podrían dañar la unidad o causar lesiones. Se recomienda el uso de agua desmineralizada o destilada para minimizar la posible acumulación de depósitos minerales.
15. Para reducir el riesgo de contacto con el agua caliente que sale de la Boquilla de Vapor, revise el artefacto antes de cada uso; para ello, aléjelo de su cuerpo y enciéndalo. No ponga en funcionamiento la unidad si la Boquilla de Vapor estuviera bloqueada.
16. Tocar piezas plásticas calientes, agua caliente o vapor puede provocar quemaduras. No toque la Boquilla de Vapor ni intente conectar ningún accesorio mientras la unidad se encuentre en uso. Tenga cuidado cuando gire la unidad, puede haber agua caliente adentro.
17. Al vaporizar una superficie por primera vez, se recomienda consultar las instrucciones del fabricante en relación con el material que desee vaporizar. Para los elementos en cuestión, realice una prueba en un lugar poco notorio antes de la aplicación.
18. No permita que el cable de alimentación entre en contacto con superficies calientes durante el uso del artefacto. Envuelva ligeramente el cable al Ovillo de Cable cuando lo almacene.
19. Siempre deje que la Limpiadora a Vapor de Usos Múltiples se enfríe (al menos 30 minutos para que se enfríe completamente) y vacíe el Calentador antes guardarlo.

¡GUARDE ESTAS INSTRUCCIONES! SÓLO PARA USO HOGAREÑO

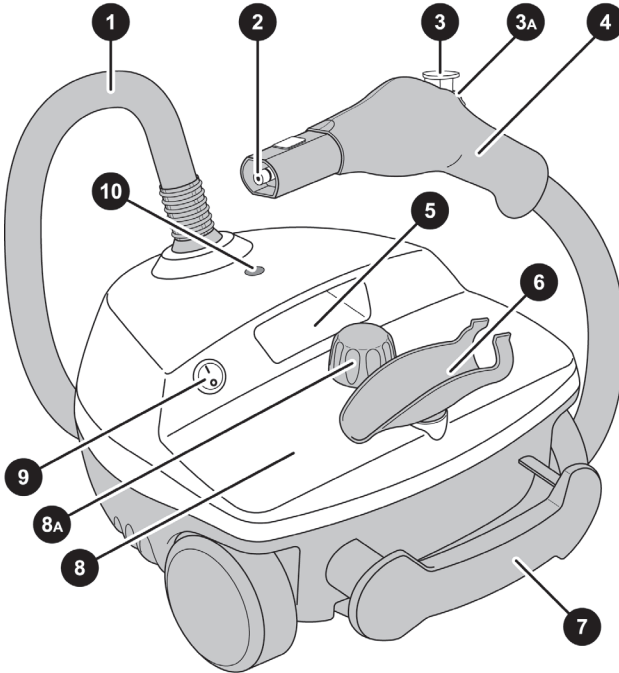
¿Preguntas o comentarios?

- www.steamfast.com
- consumerservice@steamfast.com
- 1-800-711-6617

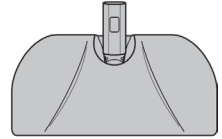
**¡Denos su opinión! Lo invitamos a que evalúe este producto en línea:
www.steamfast.com/reviews**



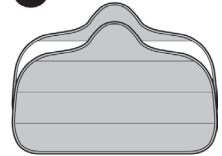
Las siguientes características y accesorios se incluyen con su Limpiador de Vapor de Uso Diario. Revise cuidadosamente el material incluido en el paquete para verificar que se proporcionaron todas las piezas que se mencionan a continuación. Para obtener las piezas faltantes, consulte la **Asistencia para el Producto** en la página 14 de este manual a fin de obtener la información de contacto del Servicio de Atención al Cliente.



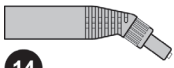
11



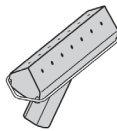
12



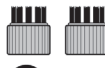
13



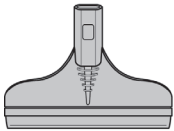
14



17



18



15



17A



19



16



17B



20

CARACTERÍSTICAS Y ACCESORIOS

- 1 Manguera de Vapor
- 2 Boquilla de Vapor
- 3 Gatillo de Vapor
- 3A Interruptor de Bloqueo de Vapor
- 4 Mango
- 5 Manija para Transportar
- 6 Portaboquilla
- 7 Ovillo de Cable
- 8 Calentador (interno)
- 8A Tapa del Calentador
- 9 Interruptor de Encendido/ Apagado con Luz
- 10 Luz Indicadora de Calor
- 11 Varillas de Extensión (2)
- 12 Cabeza del Trapeador
- 13 Almohadillas de Microfibra (2)
- 14 Boquilla de Chorro
- 15 Escobilla
- 16 Herramienta de Fregar
- 17 Herramienta de Aristas Interiores
- 17A Almohadilla de Fregar
- 17B Almohadilla de Esponja
- 18 Cepillos Secundarios de Nylon (2)
- 19 Cepillo Secundario de Bronce
- 20 Recipiente Medidor

- La *Manguera de Vapor* (1) canaliza de forma segura el flujo de vapor del *Calentador* a la *Boquilla de Vapor*.
- La *Boquilla de Vapor* (2) emite un flujo potente de vapor cada vez que se mantiene presionado el *Gatillo de Vapor*.
- El *Gatillo de Vapor* (3) proporciona un completo control de vapor a pedido, que libera calor y penetra el vapor desde la *Boquilla de Vapor* cuando se presiona.
- El *Interruptor de Bloqueo de Vapor* (3A) se empuja hacia adelante para bloquear el *Gatillo de Vapor* a fin de echar vapor continuamente, sin usar las manos.
- El *Mango* (4) está diseñado para permanecer frío, a la vez que proporciona la cantidad óptima de seguridad y comodidad al usuario.
- El *Manija para Transportar* (5) proporciona un medio conveniente para levantar la unidad escalera y sobre obstáculos.
- El *Portaboquilla* (6) funciona como un sujetador de la *Boquilla de Vapor*.
- El *Ovillo de Cable* (7) está diseñado para sujetar el cable de alimentación cuando no está en uso e incluye un compartimento para guardar accesorios pequeños.
- El *Calentador* (8) es el depósito interno donde se almacena el agua y se la calienta para convertirla en vapor. Para lograr una producción de vapor óptima, el *Calentador* debe llenarse con no más de 48 oz (1,420 ml) de agua.
- La *Tapa del Calentador* (8A) está diseñada para retener vapor de manera segura dentro del *Calentador*. Para poder llenar el *Calentador* con agua, se debe desenroscar y retirar la *Tapa del Calentador*.
- El *Interruptor de Encendido/Apagado con Luz* (9) activa y desactiva la unidad, iluminándose para proporcionar una indicación visual clara de que la unidad está recibiendo energía.
- La *Luz Indicadora de Calor* (10) se ilumina mientras el *Calentador* está calentando; luego, se apaga cuando la unidad está lista para comenzar a echar vapor.
- Las *Varillas de Extensión* (11) se conectan a la *Boquilla de Vapor* de manera de poder trapear el piso y limpiar fácilmente los lugares altos o difíciles de alcanzar.
- La *Cabeza del Trapeador* (12) se conecta a las *Varillas de Extensión* y está diseñada para limpiar a vapor una variedad de superficies de suelo duro.
- Las *Almohadillas de Microfibra* (13) se conectan a la *Cabeza del Trapeador* y están diseñadas para quitar marcas y manchas de los suelos duros. Las *Almohadillas de Microfibra* son reutilizables y la máquina se puede lavar.
- La *Boquilla de Chorro* (14) concentra el flujo de vapor de la *Boquilla de Vapor* y sirve como base a la que se conectarán los *Cepillos Secundarios* y la *Herramienta de Fregar*.
- La *Escobilla* (15) se conecta a la *Boquilla de Vapor* o a las varillas de extensión y se puede utilizar para limpiar vidrios, ventanas y otras superficies de vidrio lisas.
- La *Herramienta de Fregar* (16) se conecta a la *Boquilla de Chorro* y está diseñada para restregar la tierra y las marcas difíciles de quitar de las superficies.
- La *Herramienta de Aristas Interiores* (17) se conecta a la *Boquilla de Vapor* o a las *Varillas de Extensión* y está diseñada para limpiar espacios angostos, como esquinas y hendiduras. La *Herramienta de Aristas Interiores* incluye dos accesorios intercambiables: una *Almohadilla de Fregar* (17A) y una *Almohadilla de Esponja* (17B) para usarlas en diferentes superficies.
- Los dos *Cepillos Secundarios de Nylon* (18) se conectan a la *Boquilla de Chorro* para proporcionar una fuerza de restregado adicional a fin de quitar las manchas y la suciedad excepcionalmente difíciles de quitar. Los *Cepillos Secundarios de Nylon* son ideales para utilizar en muchas superficies del hogar, incluidas alfombras, cerámicos, cemento, etc.
- El *Cepillo Secundario de Bronce* (19) se conecta a la *Boquilla de Chorro* y está diseñada para quitar la grasa y la suciedad acumulada de superficies duraderas. El *Cepillo Secundario de Bronce* es perfecto para utilizar en parrillas, rejillas de horno, motores de automóviles, herramientas y otras superficies metálicas.

NOTA: Sea precavido al decidir la superficie a limpiar con las *Almohadillas de Fregar*, el *Cepillo Secundario de Nylon* y el *Cepillo Secundario de Bronce*. Algunas superficies delicadas, como el acero inoxidable, pueden rayarse o dañarse con el uso de cerdas o materiales ásperos. Si tiene dudas sobre la posibilidad de que una superficie pueda dañarse, se recomienda que haga una prueba en un lugar poco notorio antes de la aplicación.

- El *Recipiente Medidor* (20) proporciona una forma sencilla y conveniente de llenar el *Calentador* uniformemente con la cantidad óptima de agua.

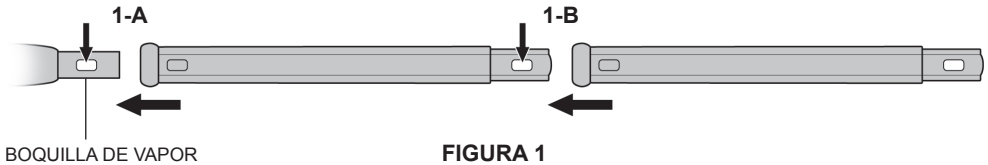


ACCESORIOS PARA EL TRAPEADO A VAPOR

ADVERTENCIA: No intente conectar los accesorios mientras la unidad esté emitiendo vapor.

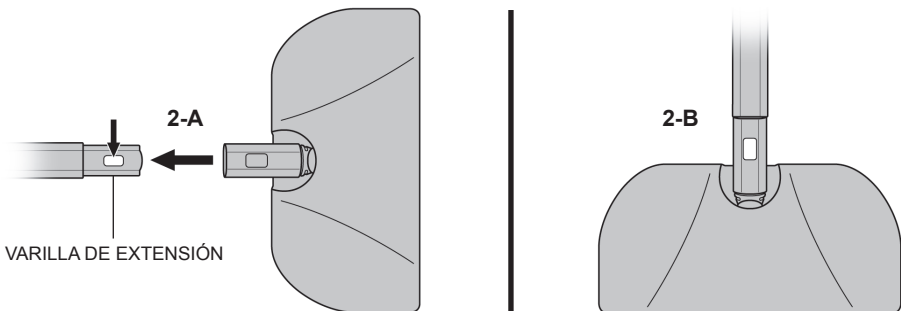
VARILLAS DE EXTENSIÓN

1. Elija una de las Varillas de Extensión y alinee el extremo posterior de la varilla con la Boquilla de Vapor. El orificio rectangular de la varilla debe alinearse con el botón azul de bloqueo/apertura en la boquilla.
2. Presione el botón azul de bloqueo/apertura. Mientras mantiene presionado el botón, deslice la Varilla de Extensión hacia la Boquilla de Vapor (FIGURA 1-A). Empuje la varilla por encima del botón y continúe empujándola hasta que el botón encaje en el orificio en la varilla.
3. Deslice la segunda Varilla de Extensión hacia el extremo de la que acaba de conectar, esta vez alineando el orificio rectangular de la segunda varilla con el botón azul de bloqueo/apertura de la primera varilla. Presione y mantenga presionado el botón y empuje firmemente la segunda varilla hacia el extremo de la primera varilla hasta que el botón encaje en el orificio (FIGURA 1-B). Ambas Varillas de Extensión deben estar conectadas a la Boquilla de Vapor.



CABEZA DEL TRAPEADOR

1. Alinee la Cabeza del Trapeador con el extremo de la segunda Varilla de Extensión de manera que el orificio rectangular en el cuello de la Cabeza del Trapeador se alinee con el botón azul de bloqueo /apertura de la varilla.
2. Presione el botón azul de bloqueo/apertura. Mientras mantiene presionado el botón, deslice el cuello de la Cabeza del Trapeador hacia la Varilla de Extensión (FIGURA 2-A). Presione firmemente hasta que el botón encaje en el orificio (FIGURA 2-B).



ALMOHADILLAS DE MICROFIBRA

1. Tienda una Almohadilla de Microfibra en una superficie plana con dos cintas sujetadoras mirando hacia arriba.
2. Alinee la Cabeza del Trapeador encima de la Almohadilla de Microfibra. Asegúrese de que la Cabeza del Trapeador que orientada con la almohadilla como se muestra, y céntrela lo más posible (FIGURA 3-A).
3. Presione la Cabeza del Trapeador firmemente hacia la Almohadilla de Microfibra. Las cintas sujetadoras se pegarán a las agarraderas de la almohadilla en la parte inferior de la Cabeza del Trapeador. La Almohadilla de Microfibra se debe conectar y quedará lista para usarse (FIGURA 3-B).

PRECAUCIÓN: Tenga cuidado al manipular una Almohadilla de Microfibra recién usada porque puede estar caliente.

NOTA: Las Almohadillas de Microfibra se pueden lavar a máquina. Para evitar que se peguen pelusas, se recomienda lavarlas en forma independiente de otras telas. Use sólo detergente líquido. Evite usar suavizantes o blanqueadores de tela. Se recomienda que las seque con aire; también podría secarlas a máquina con una configuración de poco calor o de secado con aire.

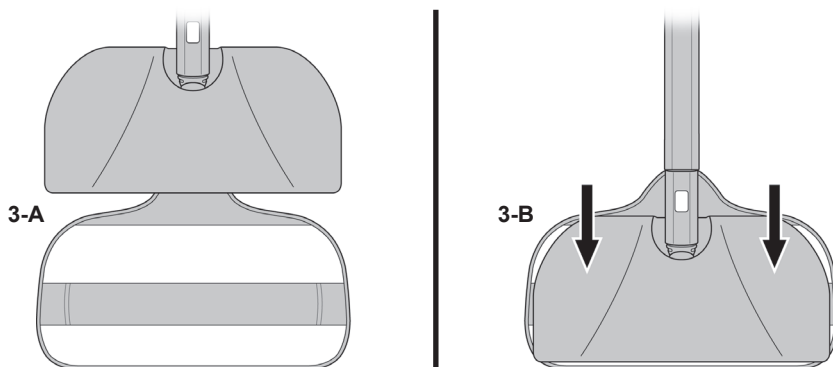


FIGURA 3

La Cabeza del Trapeador y las Almohadillas de Microfibra son ideales para usarlas en estas superficies de piso duro:

- Parqué sellado
- Concreto manchado
- Laminado sellado
- Linóleo
- Cerámico
- Granito
- Mármol
- Vinilo
- Baldosa

IMPORTANTE: No utilice la unidad en parqué no sellado o superficies de cerámica sin barnizar. Las superficies que no están correctamente selladas pueden sufrir alteraciones o daños por la exposición al calor y la humedad.

Se debe tener cuidado al echar vapor sobre pisos de parqué sellado, porque la exposición prolongada al vapor en un sólo lugar puede provocar daños y decoloración. Para evitar esto, mantenga la Cabeza del Trapeador en constante movimiento sobre estas superficies.

El vapor puede quitar el brillo de algunos pisos que hayan sido tratados con cera.

Los pisos con texturas extremadamente ásperas pueden rasgar o dañar las Almohadillas de Microfibra.

ACCESORIOS DE LIMPIEZA A VAPOR

ADVERTENCIA: No intente conectar los accesorios mientras la unidad esté emitiendo vapor.

BOQUILLA DE CHORRO / ESCOBILLA / HERRAMIENTA DE ARISTAS INTERIORES

1. Seleccione uno de los tres accesorios (Boquilla de Chorro, Escobilla o Herramienta de Aristas Interiores: se muestra la Boquilla de Chorro como ejemplo) y alinee la parte posterior del accesorio con la Boquilla de Vapor. El orificio rectangular del accesorio seleccionado debe alinearse con el botón azul de bloqueo/apertura en la Boquilla de Vapor.
2. Presione el botón azul de bloqueo/apertura (FIGURA 4-A). Mientras mantiene presionado el botón, deslice el accesorio a la Boquilla de Vapor (FIGURA 4-B). Empuje el accesorio por encima del botón y continúe empujándolo hasta que el botón encaje en el orificio rectangular.

NOTA: La Boquilla de Chorro, la Escobilla y la Herramienta de Aristas Interiores se pueden conectar al extremo de una Varilla de Extensión para alcanzar lugares altos o difíciles de alcanzar. Conecte la Varilla de Extensión (o las varillas) según se describe en la página 6; luego, conecte el accesorio que desee a la varilla, de la misma manera en que lo conectaría normalmente a la Boquilla de Vapor.



FIGURA 4

ALMOHADILLAS DE LA HERRAMIENTA DE ARISTAS INTERIORES

NOTA: Este procedimiento se aplica a la Almohadilla de Fregar de la Herramienta de Aristas Interiores y la Almohadilla de Esponja de la Herramienta de Aristas Interiores.

1. Gire el brazo del pasador de la Herramienta de Aristas Interiores a la posición abierta (FIGURA 5-A).
2. Presione la Almohadilla o la Esponja contra la Herramienta de Aristas Interiores (FIGURA 5-B). La Almohadilla o la Esponja debe envolverse alrededor del borde angulado para cubrir todos los orificios de vapor.
3. Sin dejar de presionar la Almohadilla o la Esponja contra la Herramienta de Aristas Interiores, gire el brazo del pestillo por encima de la Almohadilla o la Esponja hasta la posición de bloqueo (FIGURA 5-C). Esto asegurará la Almohadilla o la Esponja en su lugar.

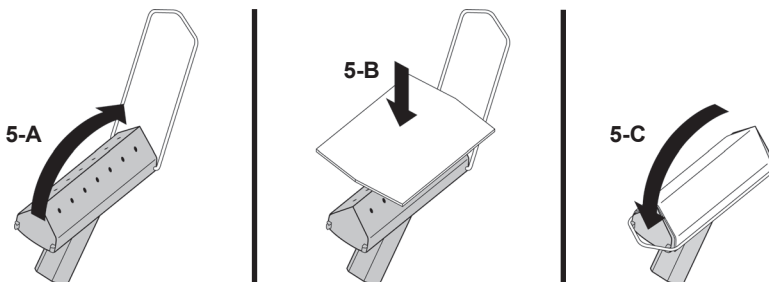


FIGURA 5

CEPILLOS DE USOS MÚLTIPLES

NOTA: El Cepillo Secundario de Nylon y el Cepillo Secundario de metal se conectan de la misma manera. El cepillo secundario de nylon se ilustra en la FIGURA 6 como ejemplo.

1. Alinee el Cepillo Secundario seleccionado con la Boquilla de Chorro. La llave guía del interior del Cepillo Secundario debe alinearse con la ranura de llave de la punta de la Boquilla de Chorro (FIGURA 6-A).
2. Presione firmemente el Cepillo Secundario hacia la Boquilla de Chorro (FIGURA 6-B).

PRECAUCIÓN: Asegúrese de presionar el Cepillo todo lo que pueda contra la punta para garantizar que se asiente de manera segura. Esto evitará las fugas de vapor y asegurará que el Cepillo Secundario no se separe de la Boquilla de Chorro por la presión del vapor.

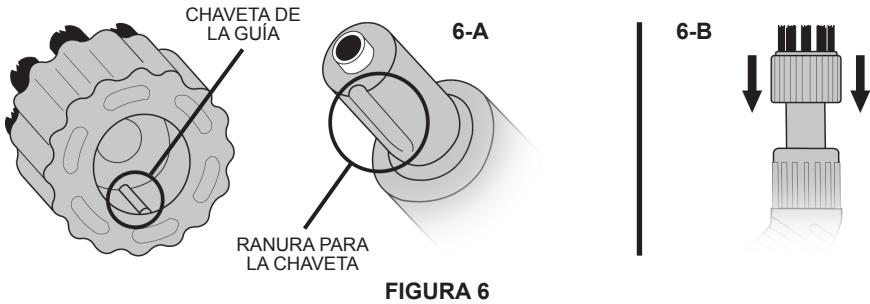


FIGURA 6

HERRAMIENTA DE FREGAR

1. Coloque la Herramienta de Fregar encima de la punta de la Boquilla de Chorro y presiónela firmemente hacia la Boquilla de Chorro tanto como sea posible (FIGURA 7). Esto ayudará a eliminar las fugas de vapor.
2. Para quitar la Herramienta de Fregar, simplemente agárela firmemente y quítela de la Boquilla de Chorro.

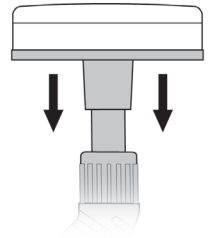


FIGURA 7

PEDIDO DE ACCESORIOS Y PARTES

Los accesorios y las piezas de repuesto para la Limpiadora a Vapor de Usos Múltiples (Modelo SF-370) se pueden pedir a través de nuestro sitio web:

www.steamfast.com

También puede comunicarse directamente con el Servicio al Cliente:

consumerservice@steamfast.com o 1-800-711-6617



LLENADO DEL CALENTADOR

1. Coloque la Limpiadora a Vapor de Usos Múltiples sobre una superficie plana.
2. Asegúrese de que el Interruptor de Encendido/Apagado con Luz se encuentre en la posición de “O” (apagado) y que el cable de alimentación se haya desenchufado del tomacorriente.
3. Con cuidado, retire la Tapa del Calentador; para ello, desenróscuela hacia la izquierda y levántela.



PRECAUCIÓN: Consulte el procedimiento de llenado a continuación para conocer las precauciones de seguridad adicionales que deben tomarse al rellenar la unidad después de que se haya usado.

4. Siempre debe vaciar el Calentador después de cada uso. Si no se vació después del uso anterior, vacíelo ahora. Esto facilitará la carga con la cantidad correcta de agua.
5. Llene el Recipiente Medidor hasta la línea de llenado máximo (16 oz / 473 ml) con agua.

NOTA: Para reducir significativamente las acumulaciones de depósitos minerales y prolongar la vida útil de la Limpiadora a Vapor de Usos Múltiples, se recomienda que utilice agua destilada o desmineralizada en la unidad. Consulte la página 12 para obtener más información sobre acumulaciones de depósitos minerales.

6. Coloque cuidadosamente el agua del Recipiente Medidor en el Calentador a través del orificio de llenado.
7. Según cuánto desee limpiar a vapor, puede repetir los pasos 5 y 6 hasta dos veces más, hasta llegar a un máximo de 48 oz (1420 ml) de agua. Consulte el gráfico para obtener una comparación de la cantidad de agua con el tiempo estimado de limpieza a vapor.

| Cantidad de Agua | Tiempo de Vapor |
|------------------|-------------------|
| 16 oz (473 ml) | Aproximado 15 min |
| 32 oz (946 ml) | Aproximado 30 min |
| 48 oz (1420 ml) | Aproximado 45 min |

NOTA: No supere la capacidad máxima del Calentador de 48 oz (1420 ml). Esto garantizará un mejor flujo de vapor con mínimo goteo de agua.

8. Vuelva a colocar la Tapa del Calentador. Enróscuela hacia la derecha para ajustarla. Asegúrese de que esté correctamente enroscada para evitar que se escape agua caliente o vapor.

RELLENAR DE CALENTADOR



Si la unidad ha estado en uso, siempre utilice las siguientes precauciones de seguridad antes de quitar la Tapa del Calentador para agregar agua:

- Espere a que la unidad se enfríe durante 5 a 10 minutos.
- Presione y mantenga presionado el Gatillo de Vapor para liberar todo el vapor restante. **El vapor puede permanecer presurizado en el interior del Calentador hasta una hora después de su uso.**

ADVERTENCIA: Si no sigue estas precauciones, se podrían ocasionar quemaduras por el escape de vapor al quitar la Tapa del Calentador.

LIMPIEZA A VAPOR

NOTA: Asegúrese de que el Calentador esté lleno y de que todos los accesorios deseados estén conectados antes de seguir los siguientes pasos.

1. Para el primer uso, quite la tapa protectora de plástico del enchufe eléctrico. Enchufe el cable de electricidad alimentación en un tomacorriente apropiado.
2. Gire el Interruptor de Encendido/Apagado con Luz a la posición de "1" (encendido). La Luz del Indicador de Calor se iluminará inmediatamente para indicar que la unidad está calentando.
3. Después de aproximadamente 2 a 8 minutos (según cuánta agua haya en el Calentador), la Luz Indicadora de Calor se apagará para indicar que la unidad está completamente calentada y lista para comenzar la limpieza a vapor.
4. Dirija la Boquilla de Vapor (y los accesorios conectados) hacia la superficie sobre la que desea echar vapor y presione el Gatillo de Vapor.

PRECAUCIÓN: Siempre asegúrese de que la Boquilla de Vapor y los accesorios apunten en una dirección segura (lejos suyo, de otras personas, de mascotas o de plantas) antes de presionar el Gatillo de Vapor.

5. Mantenga presionado el Gatillo para lograr un flujo continuo de vapor. También puede deslizar el Interruptor de Bloqueo de Vapor hacia delante, mientras presiona el Gatillo de Vapor para bloquearlo. Esto permitirá que salga un flujo continuo de vapor sin la necesidad de mantener presionado el Gatillo de Vapor con la mano.
6. Hacer un leve movimiento hacia atrás y hacia adelante en el área sobre la que está echando vapor mejorará el proceso de limpieza. Pase un paño limpio por las áreas sobre las echó vapor para quitar la suciedad suelta. Se recomienda secar el área cuando aún está húmeda, pero tenga cuidado al secar superficies como metal, ya que pueden estar calientes.

NOTA: Durante el uso de la unidad, la luz indicadora de calor puede iluminarse. Esto es normal. Si nota que la presión del vapor disminuye, suelte el gatillo de vapor hasta que la luz indicadora de calor se apague nuevamente.

7. Para matar de manera eficaz las bacterias y otros microorganismos, coloque la Boquilla de Chorro (y los accesorios conectados) aproximadamente a 1/2 pu (1,27 cm) de la superficie y presione el Gatillo de Vapor. Mantenga el Gatillo presionado y concentre el vapor en el mismo sitio durante al menos 5 segundos.
8. Una vez que se complete la limpieza a vapor, coloque inmediatamente el Interruptor de Encendido/Apagado con Luz en la posición de "O" (apagado) y desenchufe el cable de alimentación con conexión a tierra del tomacorriente. Siga los pasos del procedimiento de **Almacenamiento Correcto** en la página 12 de este manual.

TRAPEADO A VAPOR

NOTA: Asegúrese de que el calentador esté lleno y de que todos los accesorios para el trapeado a vapor estén conectados antes de seguir los siguientes pasos.

Se recomienda que barra o aspire los pisos duros antes de efectuar el trapeado.

1. Siga los PASOS 1-3 de la sección anterior, **Limpieza a Vapor**.

Consulte la página 7 para obtener un listado de las superficies de piso duro que se recomiendan limpiar con Limpiadora a Vapor de Usos Múltiples.

2. Para obtener mejores resultados, haga un leve movimiento hacia adelante y hacia atrás sobre la superficie del piso alejando y acercando hacia usted la Cabeza del Trapeador. Camine hacia atrás mientras trabaja en el piso para evitar caminar por encima de áreas recién trapeadas.

NOTA: Para evitar las alteraciones o los daños causados por el calor y la humedad, no utilice la unidad sobre parqué no sellado o superficies de cerámica sin barnizar. El vapor puede quitar el brillo de algunos pisos que hayan sido tratados con cera.

3. Para matar de manera eficaz todas las bacterias y microorganismos, trapee varias veces una misma área pequeña (aproximadamente de 3' x 3' [1 m x 1 m]) para obtener mejores resultados) durante al menos 2 minutos.
4. La Almohadilla de Microfibra absorberá la suciedad y la humedad durante el trapeado. Sin embargo, cuando termine podría notar restos de humedad residual. En este caso, se recomienda dejar que el piso se seque con el aire. Podría utilizar un ventilador en dirección hacia el área trapeada para facilitar el secado.



ALMACENAMIENTO CORRECTO

Preparar su Limpiadora a Vapor de Usos Múltiples para guardarlo es rápido y sencillo. Cuando haya terminado sus tareas de limpieza con vapor, siga los pasos que se indican a continuación.

1. Coloque el Interruptor de Encendido y Apagado en la posición "O" (apagado) y desenchufe el cable de alimentación del tomacorriente.
2. Permita que la unidad se enfríe (espere 30 minutos para que se enfríe completamente).
3. Mantenga presionado el Gatillo de Vapor para liberar toda la presión de vapor restante.
4. Quite todos los accesorios de la unidad.
5. Desenrosque y quite la Tapa del Calentador. Drene los restos de agua del Calentador en un fregadero o bañera; esto ayudará a minimizar las acumulaciones de depósitos minerales y a evitar que se llene por demás durante el próximo uso. Vuelva a colocar ligeramente la Tapa del Calentador.

NOTA: No ajuste demasiado la Tapa del Calentador cuando vaya a guardarlo, ya que esto puede dificultar retirarla durante el próximo uso.

6. Almacene los accesorios de manera segura; los accesorios más pequeños pueden almacenarse en el compartimiento de almacenaje ubicado en el Ovillo de Cable.
7. Envuelva ligeramente el cable de electricidad en el Ovillo de Cable y guarde la Limpiadora a Vapor de Usos Múltiples en un lugar fresco y seguro.

CUIDADO Y MANTENIMIENTO

Una necesidad de mantenimiento común para los artefactos a vapor es la eliminación de las acumulaciones causadas por el alto contenido mineral en muchos de los suministros de agua municipales. Esta acumulación de depósitos minerales puede limitar la eficiencia y reducir la vida útil de la Limpiadora a Vapor de Usos Múltiples.

La mejor forma de minimizar las acumulaciones de depósitos minerales es usando agua destilada o desmineralizada para la Limpiadora a Vapor de Usos Múltiples. Si no puede usar agua destilada, se recomienda que siga el siguiente procedimiento con una frecuencia mensual para ayudar a eliminar las acumulaciones de depósitos minerales:

Para eliminar la acumulación de minerales, siga los pasos que se indican a continuación:

1. Coloque el Interruptor de Encendido y Apagado en la posición "O" (apagado) y desenchufe el cable de alimentación del tomacorriente.
2. Permita que la unidad se enfríe (espere 30 minutos para que se enfríe completamente).
3. Mantenga presionado el Gatillo de Vapor para liberar toda la presión de vapor restante.
4. Quite todos los accesorios de la unidad.
5. Desenrosque y retire la Tapa del Calentador y drene el agua restante en un fregadero o bañera.
6. Llene el Recipiente Medidor con 16 oz (474 ml) de vinagre destilado. Coloque con cuidado el vinagre en el Calentador.
7. Sacuda o mueva suavemente la unidad para agitar el vinagre.
8. Deje reposar al menos 40 minutos o más si es posible.
9. Drene el vinagre del calentador.
10. Enjuague el Calentador con agua dulce, drene y repita hasta que se disipe el olor a vinagre.
11. Vuelva a colocar la Tapa del Calentador sin ajustarla y continúe con el procedimiento normal de almacenamiento como se indica en la sección anterior, **Almacenamiento Correcto**.



| PROBLEMA | POSIBLE CAUSA | SOLUCIÓN |
|--|--|---|
| La unidad no calienta. El Interruptor de Encendido y Apagado con Luz NO se ilumina cuando se lo coloca en la posición "I" (encendido). | La unidad no está enchufada. | Enchufe el cable de alimentación en el tomacorriente. |
| | El interruptor de circuito/falla a tierra del hogar se desconectó o se quemó un fusible. | Vuelva a conectar el interruptor de circuito/falla a tierra o cambie el fusible. Para obtener asistencia, comuníquese con un electricista autorizado. |
| | La unidad está dañada o necesita reparación. | Suspenda el uso de inmediato y desenchúfela. Comuníquese con el Servicio de Atención al Cliente para obtener ayuda (en la página 14 encontrará información detallada). |
| La unidad no calienta. El Interruptor de Encendido y Apagado con Luz SÍ se ilumina cuando se lo coloca en la posición "I" (encendido). NOTA: Espere siempre que la unidad se caliente antes de presionar el Gatillo de Vapor. | El Calentador está vacío. | Consulte el procedimiento Llenado del Calentador en la página 10 para llenar la unidad con agua. |
| | Acumulación de minerales en la unidad. | Consulte la sección Cuidado y Mantenimiento en la página 12 para obtener información detallada. |
| | La unidad está dañada o necesita reparación. | Suspenda el uso de inmediato y desenchúfela. Comuníquese con el Servicio de Atención al Cliente para obtener ayuda (en la página 14 encontrará información detallada). |
| La salida de vapor es débil o intermitente. | Está bajando el nivel de agua del Calentador. | Consulte el procedimiento Rellenar del Calentador en la página 10 para rellenar la unidad con agua. |
| | Acumulación de minerales en la unidad. | Consulte la sección Cuidado y Mantenimiento en la página 12 para obtener información detallada. |
| Hay demasiada agua en el vapor. NOTA: La unidad produce vapor húmedo; es normal que el vapor contenga algo de agua. | Condensación de agua en la Manguera de Vapor. | Apunte la boquilla hacia el fregadero, la bañera o el piso y agítela mientras mantiene presionado el Gatillo de Vapor. Continúe hasta liberar el exceso de agua. |
| | El Calentador está demasiado lleno. | Llenar el Calentador con más de 48 oz. (1420 ml.) de agua interfiere con la producción de vapor, lo que provoca que el agua se condense en el vapor. Drene algo de agua del calentador. Siempre use el recipiente medidor incluido para el calentador con la cantidad correcta de agua (consulte la página 10 para obtener información detallada). |
| | La unidad no se ha calentado hasta la temperatura total de funcionamiento. | Espere hasta que la Luz del indicador de calor se apague para comenzar a echar vapor. |
| Los accesorios no quedan firmemente conectados a la Boquilla de Vapor / la Boquilla de Chorro. | Los accesorios no se instalaron correctamente. | Compruebe que los accesorios estén correctamente conectados, según los procedimientos de las páginas 6 a 9. |
| Las superficies del suelo quedan turbias o desaparejas después de realizar la limpieza de vapor. | La Almohadilla de Microfibras está sucia. | Reemplace la Almohadilla de Microfibras por una nueva. |
| | Residuos de agua dura en el suelo. | Cambie a agua destilada o desmineralizada. |



SERVICIOS DE ATENCIÓN AL CLIENTE

Si tiene problemas con su Limpiadora a Vapor de Usos Múltiples, consulte la guía de resolución de problemas en la página 13. Si tiene más preguntas, envíelas a nuestro Servicio de Atención al Cliente a través del sitio web www.steamfast.com.

Si no tiene acceso a Internet, también puede comunicarse con el Departamento de Servicio de Atención al Cliente por teléfono al **1-800-711-6617**.

NOTA: Para que nuestros representantes del Servicio de Atención al Cliente puedan ayudarlo lo más rápido y eficazmente posible, tenga lista la siguiente información antes de llamar:

- Información de compra (dónde y cuándo compró el producto)
- Copia del recibo de compra/prueba de compra
- Número de serie del producto (se encuentra cerca de la etiqueta de especificaciones eléctricas en la parte inferior de la unidad)
- Código de fecha (número de 4 dígitos ubicado en la etiqueta de especificaciones eléctricas en la parte inferior de la unidad)

Para obtener información acerca de la garantía limitada de un año, consulte la página 15 de este manual.

ESPECIFICACIONES DEL PRODUCTO

| | |
|---------------------------------|--|
| MODELO | SF-370 |
| VOLTAJE | 120VAC 60Hz |
| VATIAJE | 1500W |
| AMPERAJE | 12,5A |
| CAPACIDAD DE AGUA | 48 OZ (1420 ML) |
| TIEMPO DE CALENTAMIENTO | 8 MIN (APROXIMADO) |
| TIEMPO DE VAPOR CONTINUO | 45 MIN (APROXIMADO) |
| PESO DE LA UNIDAD | 8,4 LBS (3,8 KG) |
| DIMENSIONES DE LA UNIDAD | 15,4" (39,1 CM) x 12,0" (30,5 CM) x 9,5" (24,1 CM) |
| LONGITUD DEL CABLE | 15,4' (470,0 CM) |



steamfast

Información Sobre la Garantía

GARANTÍA LIMITADA DE 1 AÑO

Steamfast, una división de Vornado Air LLC, ("Steamfast") garantiza al comprador o consumidor original que este Steamfast Limpiadora a Vapor de Usos Múltiples SF-370 ("Producto") contra defectos de material o mano de obra durante un período de un (1) año a partir de la fecha de compra. Si se descubriera cualquiera de estos defectos dentro del período de garantía, Vornado reparará o reemplazará el Producto, a su discreción, sin costo alguno, en tanto el Producto se remita a Steamfast con los gastos de envío pagos. Las reparaciones no cubiertas por la garantía o fuera del período de garantía requerirán de un pago cubriendo el costo de materiales, manipuleo y envío.

Esta garantía no se aplica a defectos producidos por el abuso del Producto, por su modificación, alteración, reparación o mantenimiento por personas ajenas a Steamfast, por mal manejo del mismo, mantenimiento inadecuado, uso comercial o daños producidos durante el envío o atribuibles a fuerza mayor.

LA REPARACIÓN O REEMPLAZO QUE SE OFRECE BAJO ESTA GARANTÍA ES LA ÚNICA SOLUCIÓN PROPORCIONADA PARA EL CLIENTE. STEAMFAST NO SERÁ RESPONSABLE POR NINGÚN DAÑO INCIDENTAL O INDIRECTO POR EL INCUMPLIMIENTO DE CUALQUIER GARANTÍA EXPRESA O IMPLÍCITA DE ESTE PRODUCTO. EXCEPTO HASTA EL ALCANCE PROHIBIDO POR LAS LEYES VIGENTES, TODA GARANTÍA IMPLÍCITA DE APTITUD O IDONEIDAD PARA UN USO EN PARTICULAR DE ESTE PRODUCTO QUEDA LIMITADA A LA DURACIÓN DE ESTA GARANTÍA.

Algunos estados no permiten limitaciones con respecto a cuánto dura una garantía implícita o la exclusión o limitación de daños imprevistos o consiguientes, por lo tanto las exclusiones o limitaciones anteriores pueden no aplicarse en su caso. Esta garantía le otorga derechos legales específicos; usted puede también tener otros derechos, los que varían de estado a estado.

Por garantía o servicio de reparaciones, llame al 1-800-711-6617 o mande un correo electrónico a consumerservice@steamfast.com para obtener el formulario de Autorización de Retorno ("RA"). Por favor, cuando contacte a Steamfast por la garantía, tenga a mano o incluya en el envío los números de modelo, código de fecha y de serie de su Producto, así como su nombre, dirección, ciudad, estado, código postal y número de teléfono. Es posible que se le requiera proporcionar el recibo original de venta. Para sus registros: Broche o adjunte su recibo original de compra a esta 'Guía del Usuario'. Por favor, también escriba aquí abajo el número de serie de su Producto (ubicado en la calcomanía de especificaciones de su producto).

Numero de Serie: _____

Después de recibir el formulario RA, despache su Producto con gastos de envío pagos a:

Steamfast
Attn: Warranty & Repair
415 East 13th
Andover, KS 67002

Para asegurar el manejo adecuado, los embalajes deben estar claramente marcados con el número de RA. Los paquetes que no estén marcados claramente con dicho número de RA podrían ser rechazados en la dársena de recepción.

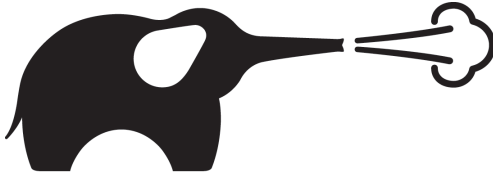
Por favor espere entre 1 y 2 semanas después de la recepción del Producto para dar tiempo a la reparación y devolución del mismo.

Registre su producto en línea en www.steamfast.com

© 2011 Vornado Air LLC • Andover, KS 67002
Especificaciones del producto sujetas a cambio sin previo aviso.
Steamfast® son marcas registradas de Vornado Air LLC.
Fabricado en China.

Servicios al Consumidor de Steamfast

W: www.steamfast.com | T: 1-800-711-6617 | C: consumerservice@steamfast.com



steamfast

powerful. natural. intelligent.™

evalúe este producto en línea
www.steamfast.com/reviews

Steamfast

415 East 13th, Andover, KS 67002

1-800-711-6617 | www.steamfast.com | consumerservice@steamfast.com

Patent D623,366
V110216



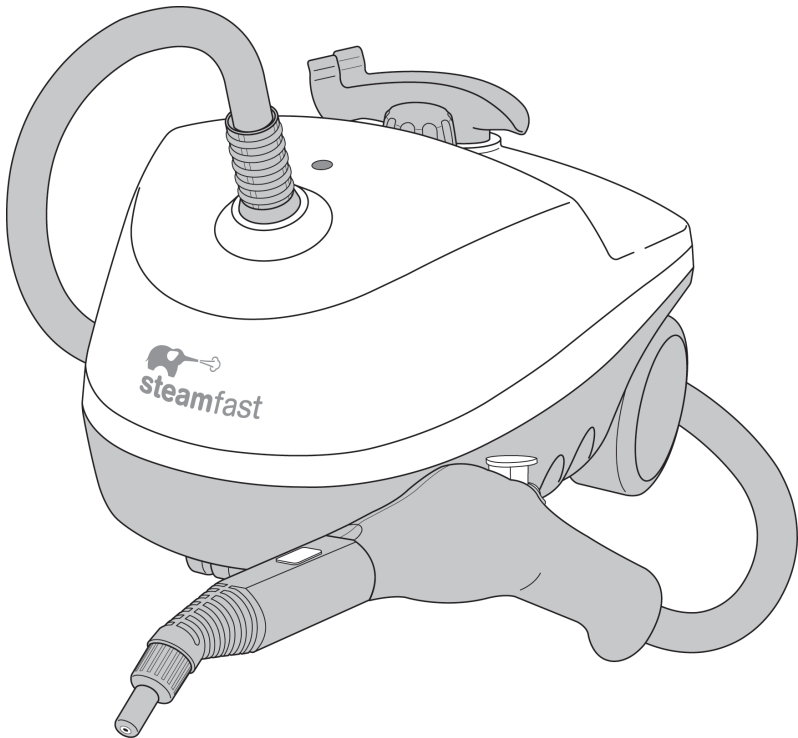
steamfast

powerful. natural. intelligent.™

Nettoyeur à vapeur polyvalent

MODÈLE SF-370

Mode d'emploi



Veuillez lire toutes les instructions avant l'utilisation.

GARDEZ VOTRE REÇU AUX FINS DE LA GARANTIE.

CONSIGNES DE SÉCURITÉ IMPORTANTES



AVERTISSEMENT: Afin de réduire les risques d'incendie, de décharge électrique ou de blessure, veuillez toujours suivre les mesures de sécurité de base suivantes quand vous utilisez un appareil électrique.

AVERTISSEMENT: Afin de réduire les risques de décharge électrique, cet appareil est doté d'une fiche électrique à trois broches pour mise à la terre. Cette fiche s'insère d'une seule façon dans une prise murale mise à la terre. Si la fiche ne s'insère pas correctement dans la prise, contactez un électricien compétent pour faire installer une prise convenable. N'essayez PAS de modifier la fiche ou de passer outre à cette caractéristique de sécurité.

LISEZ TOUTES LES INSTRUCTIONS AVANT L'UTILISATION



DANGER

Tout appareil demeure sous tension même s'il est éteint. Pour réduire les risques de décharge électrique:

1. Débranchez toujours le cordon d'alimentation immédiatement après l'utilisation.
2. L'appareil ne doit pas être placé ou rangé quelque part d'où il pourrait tomber ou être tiré dans un évier, un lavabo ou un bain.
3. L'appareil ne doit pas être placé ou échappé dans l'eau ou tout autre liquide.
4. Si l'appareil tombe dans l'eau, débranchez immédiatement le cordon d'alimentation. Ne mettez pas la main dans l'eau.



AVERTISSEMENT

Pour réduire les risques de brûlure, d'électrocution, d'incendie ou de blessure aux personnes:

1. Utilisez le Nettoyeur à vapeur polyvalent seulement aux fins prévues, comme indiqué dans le présent mode d'emploi.
2. S'il est nécessaire d'utiliser une rallonge, utilisez une rallonge de calibre adéquat (15 ampères, calibre 14). Veillez à ce que la rallonge soit placée où il y a le moins de chance qu'elle soit endommagée ou qu'elle fasse trébucher quelqu'un quand elle est utilisée.
3. Avant de brancher le cordon d'alimentation dans la prise électrique, assurez-vous que toutes les caractéristiques électriques nominales de l'étiquette concordent avec celles de l'alimentation électrique.
4. Pour réduire les risques de surcharge du circuit, NE faites PAS fonctionner un autre appareil à puissance élevée sur le même circuit que cet appareil.
5. Pour protéger contre les risques de décharge électrique, n'immergez pas l'appareil dans l'eau ou tout autre liquide. Ne vous servez pas du cordon d'alimentation comme d'une poignée, ne le laissez pas pendre du bord d'un plan de travail, ne le pincez pas dans une porte et ne refermez pas une porte sur lui.
6. Ne tirez jamais d'un coup sec sur le cordon d'alimentation pour le débrancher de la prise. À la place, saisissez la fiche et tirez pour la débrancher.
7. Ne faites pas fonctionner l'appareil si son cordon d'alimentation est endommagé, ou si l'appareil est tombé ou a été endommagé. Pour éviter tout risque de décharge électrique, ne démontez pas l'appareil. Contactez le service aux consommateurs de Steamfast pour que l'appareil soit vérifié et réparé. Un remontage incorrect peut causer un risque de décharge électrique lors de l'utilisation de l'appareil.
8. Il faut exercer une surveillance étroite quand un appareil est utilisé près des enfants, des animaux domestiques et des plantes. Ne laissez pas l'appareil sans surveillance quand il est branché.
9. L'usage de l'appareil n'est pas prévu pour les personnes (y compris les enfants) dont les capacités physiques, sensorielles ou mentales sont réduites, ou qui manquent d'expérience et de connaissances, sauf si une personne responsable de leur sécurité les surveille ou leur explique comment utiliser l'appareil.

10. N'utilisez pas l'appareil lorsque des produits à base d'aérosol sont employés ou lorsque de l'oxygène est administré.
11. L'appareil doit être utilisé seulement avec les accessoires recommandés pour le Nettoyeur à vapeur polyvalent (modèle SF-370). L'utilisation d'autres types d'accessoires peut endommager l'appareil ou causer des blessures.
12. Si l'Interrupteur lumineux de marche/arrêt ne s'allume pas quand vous branchez l'appareil et que l'interrupteur est à la position "I", cela signifie que l'appareil ne fonctionne pas normalement. Débranchez immédiatement le cordon de la source d'alimentation, puis consultez le guide de dépannage à la page 12 du présent mode d'emploi pour obtenir de l'aide.
13. N'essayez pas d'utiliser l'appareil sans avoir rempli adéquatement l'Évaporateur avec de l'eau.
14. Remplissez l'appareil uniquement avec de l'eau; tout autre agent nettoyant pourrait endommager l'appareil ou causer des blessures. Il est fortement recommandé d'utiliser de l'eau distillée ou déminéralisée afin de réduire au minimum l'accumulation potentielle de dépôts de minéraux.
15. Pour réduire tout risque de contact avec l'eau chaude que diffuse l'Injecteur à vapeur, vérifiez l'appareil avant chaque utilisation en l'éloignant de votre corps, puis en le mettant sous tension. Ne faites pas fonctionner l'appareil si l'Injecteur à vapeur est bloqué.
16. Le fait de toucher les pièces en plastique chaudes, l'eau chaude ou la vapeur peut causer des brûlures. Ne touchez pas l'Injecteur à vapeur et n'essayez pas de raccorder un accessoire quand l'appareil fonctionne. Faites attention quand vous retournez l'appareil à l'envers, car il peut contenir de l'eau chaude.
17. Avant d'utiliser la vapeur sur une surface pour la première fois, il est recommandé de consulter les directives du fabricant pour le matériau sur lequel la vapeur sera diffusée. Effectuez un essai sur une zone peu visible de ce matériau avant de procéder.
18. Ne laissez pas le cordon d'alimentation toucher les surfaces chaudes pendant l'utilisation. Enroulez lâchement le cordon autour de l'Enrouleur de cordon lors du rangement de l'appareil.
19. Laissez toujours refroidir le Nettoyeur à vapeur polyvalent (au moins 30 minutes pour un refroidissement complet), puis videz l'Évaporateur avant le rangement.

CONSERVEZ CES INSTRUCTIONS! POUR USAGE DOMESTIQUE SEULEMENT

Vous avez des questions ou des commentaires?

- www.steamfast.com
- consumerservice@steamfast.com
- 1-800-711-6617

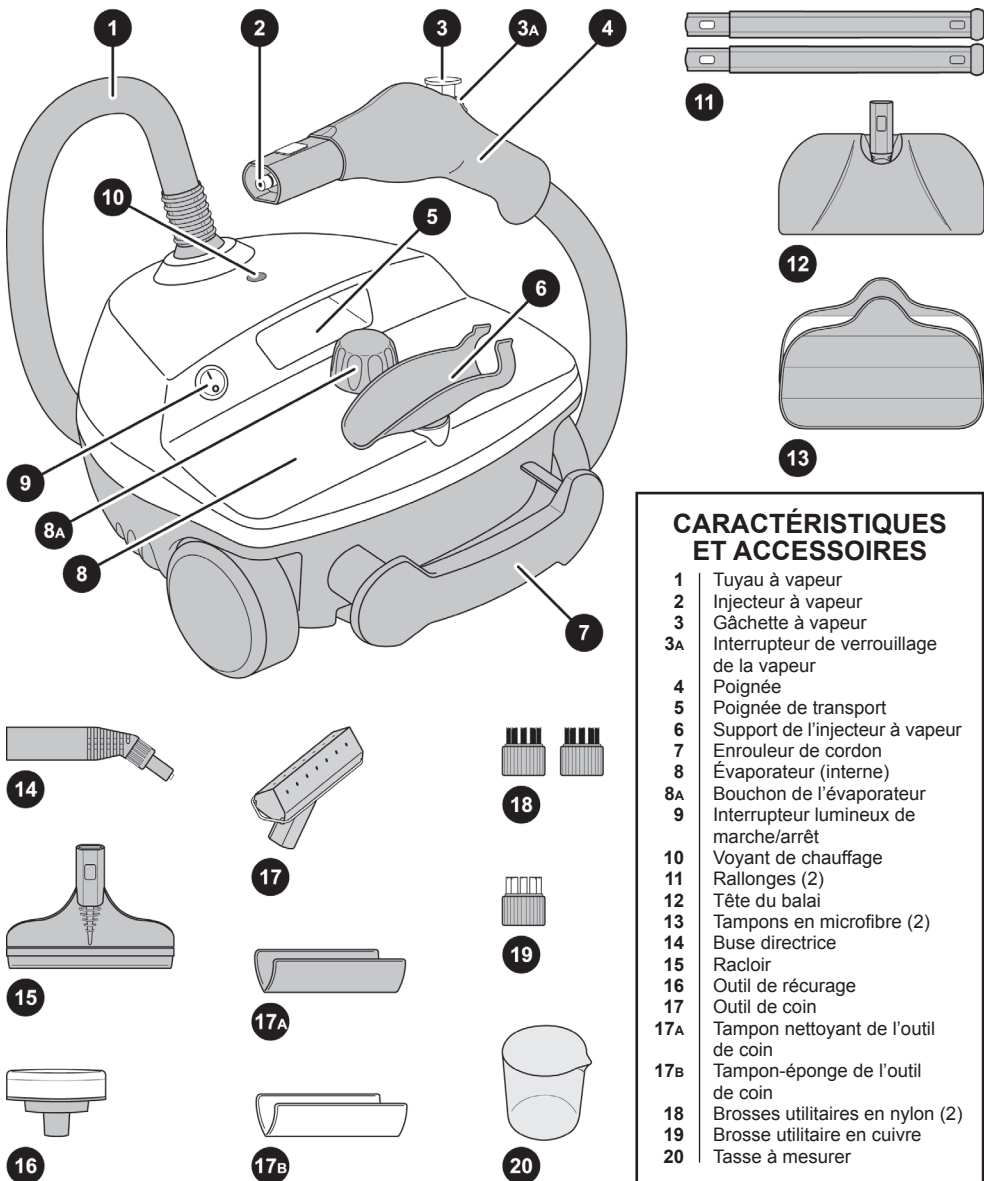
**Exprimez-vous! Nous vous invitons à évaluer ce produit en ligne:
www.steamfast.com/reviews**



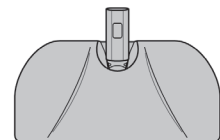
steamfast

Renseignements sur le produit

Votre Nettoyeur à vapeur polyvalent est doté des caractéristiques et accessoires suivants. Vérifiez soigneusement l'emballage pour vous assurer d'avoir toutes les pièces énumérées ci-dessous. S'il manque des pièces, reportez-vous à la section **Soutien aux produits** à la page 14 du présent mode d'emploi pour connaître les coordonnées du service aux consommateurs.



11



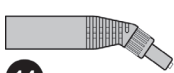
12



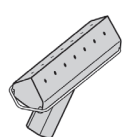
13

CARACTÉRISTIQUES ET ACCESSOIRES

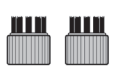
- 1 Tuyau à vapeur
- 2 Injecteur à vapeur
- 3 Gâchette à vapeur
- 3A Interrupteur de verrouillage de la vapeur
- 4 Poignée
- 5 Poignée de transport
- 6 Support de l'injecteur à vapeur
- 7 Enrouleur de cordon
- 8 Évaporateur (interne)
- 8A Bouchon de l'évaporateur
- 9 Interrupteur lumineux de marche/arrêt
- 10 Voyant de chauffage
- 11 Rallonges (2)
- 12 Tête du balai
- 13 Tampons en microfibre (2)
- 14 Buse directrice
- 15 Râcloir
- 16 Outil de récurage
- 17 Outil de coin
- 17A Tampon nettoyant de l'outil de coin
- 17B Tampon-éponge de l'outil de coin
- 18 Brosses utilitaires en nylon (2)
- 19 Brosse utilitaire en cuivre
- 20 Tasse à mesurer



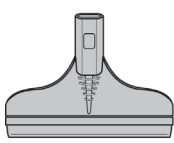
14



17



18



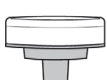
15



17A



19



16



17B



20

- Le *Tuyau à vapeur* (1) concentre en toute sécurité le jet de vapeur produit par l'*Évaporateur* vers l'*Injecteur à vapeur*.
- L'*Injecteur à vapeur* (2) diffuse un jet de vapeur puissant quand vous appuyez sur la *Gâchette à vapeur*.
- La *Gâchette à vapeur* (3) permet de contrôler complètement la diffusion de vapeur. Quand vous pressez la gâchette, une vapeur chaude et pénétrante sort de l'*Injecteur à vapeur*.
- Quand vous poussez sur l'*Interrupteur de verrouillage de la vapeur* (3A), la *Gâchette à vapeur* se verrouille et fournit une vapeur continue, sans que vous ayez à intervenir.
- La *Poignée* (4) est conçue pour rester froide tout en offrant un confort optimal, en toute sécurité.
- La *Poignée de transport* (5) fournit un moyen convenable à soulever l'unité en haut les escaliers et sur les obstacles.
- Le *Support de l'injecteur à vapeur* (6) permet d'accrocher l'*Injecteur à vapeur* en toute commodité.
- L'*Enrouleur de cordon* (7) sert à ranger le cordon d'alimentation quand celui-ci n'est pas utilisé. Il comprend aussi un compartiment de rangement pour les petits accessoires.
- L'*Évaporateur* (8) est un réservoir interne. Il contient l'eau qui est chauffée pour se transformer en vapeur. Pour que la production de vapeur soit optimale, il faut remplir l'*Évaporateur* de 48 oz (1420 ml) d'eau tout au plus.
- Le *Bouchon de l'évaporateur* (8A) permet de retenir la vapeur en toute sécurité dans l'*Évaporateur*. Il faut dévisser le *Bouchon de l'évaporateur* et l'ôter pour remplir l'*Évaporateur* d'eau.
- L'*Interrupteur lumineux de marche/arrêt* (9) met l'appareil sous tension et hors tension. Il s'allume pour indiquer clairement que l'appareil est en marche.
- Le *Voyant de chauffage* (10) s'allume quand l'*Évaporateur* chauffe, puis il s'éteint quand l'appareil est prêt à produire de la vapeur.
- Les *Rallonges* (11) se fixent à l'*Injecteur à vapeur*, ce qui permet de nettoyer les planchers et facilite le nettoyage des endroits élevés ou difficiles à atteindre.
- La *Tête du balai* (12) se fixe aux *Rallonges*. Elle permet de nettoyer à la vapeur divers types de planchers à surface dure.
- Les *Tampons en microfibre* (13) se fixent à la tête du balai. Ils permettent d'éliminer les éraflures et les taches sur les planchers à surface dure. Les *Tampons en microfibre* sont réutilisables et lavables à la machine.
- La *Buse directrice* (14) concentre le jet de vapeur de l'*Injecteur à vapeur* et se raccorde aux *Brosses utilitaires* et à l'*Outil de récurage*.
- Le *Racloir* (15) se fixe à l'*Injecteur à vapeur* ou aux *Rallonges*. Il sert à nettoyer les miroirs, les fenêtres et toute surface lisse en verre.
- L'*Outil de récurage* (16) se fixe à la *Buse directrice*, et permet de frotter la saleté tenace et d'atténuer les éraflures sur les surfaces.
- L'*Outil de coin* (17), qui se fixe à l'*Injecteur à vapeur* ou aux *Rallonges*, permet de nettoyer les endroits exigus, comme les coins et les creux. L'*Outil de coin* comprend deux accessoires interchangeables: un *Tampon nettoyant* (17A) et un *Tampon-éponge* (17B) qui peuvent servir sur diverses surfaces.
- Les deux *Brosses utilitaires en nylon* (18) se fixent à la *Buse directrice* et augmentent le pouvoir nettoyant afin d'éliminer la saleté et les taches particulièrement tenaces. Les *Brosses utilitaires en nylon* sont idéales pour les diverses surfaces de la maison, y compris les tapis, les carreaux en céramique, le coulis et bien d'autres.
- La *Brosse utilitaire en cuivre* (19) se fixe à la *Buse directrice*. Elle permet d'éliminer la graisse et la saleté difficiles à enlever sur les surfaces durables. La *Brosse utilitaire en cuivre* est parfaite pour les grilles de barbecue et de four, les moteurs d'automobile, les outils de l'atelier et toute autre surface métallique dure.

REMARQUE: Faites preuve de prudence avant de nettoyer une surface au moyen des *Tampons nettoyeurs*, des *Brosses utilitaires en nylon* et de la *Brosse utilitaire en cuivre*. Vous risquez d'endommager certaines surfaces délicates, comme l'acier inoxydable, si vous les nettoyez au moyen de matériaux ou de poils rugueux. À moins d'avoir la certitude que la surface ne sera pas endommagée, il est recommandé de faire un essai sur une zone peu visible avant de procéder.

- La *Tasse à mesurer* (20) permet facilement et en toute commodité de remplir l'*Évaporateur* de la quantité d'eau optimale.

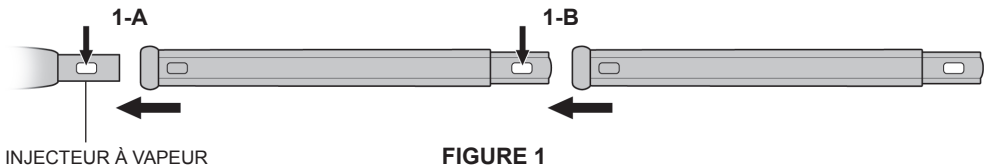


ACCESSOIRES POUR LE NETTOYAGE DES PLANCHERS À LA VAPEUR

AVERTISSEMENT: N'essayez pas de raccorder un accessoire quand l'appareil diffuse de la vapeur.

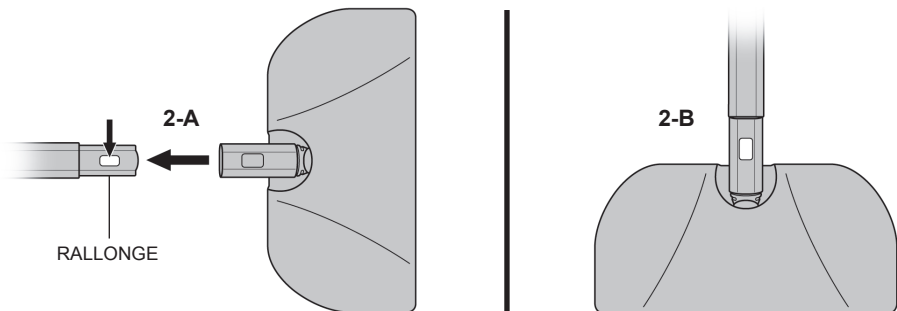
RALLONGES

1. Choisissez une des Rallonges, puis alignez l'extrémité arrière de la rallonge et l'Injecteur à vapeur. Le trou rectangulaire de la Rallonge et le bouton bleu de verrouillage/dégagement de l'injecteur doivent être alignés.
2. Abaissez le bouton bleu de verrouillage/dégagement. Continuez à maintenir le bouton abaissé et faites glisser la Rallonge sur l'Injecteur à vapeur (FIGURE 1-A). Poussez la Rallonge par-dessus le bouton et continuez à pousser jusqu'à ce que le bouton s'engage dans le trou rectangulaire de la Rallonge.
3. Faites glisser la deuxième Rallonge sur l'extrémité de la rallonge que vous venez de raccorder, cette fois-ci en alignant le trou rectangulaire de la seconde Rallonge et le bouton bleu de verrouillage/dégagement de la première rallonge. Maintenez le bouton enfoncé et poussez fermement la seconde Rallonge sur l'extrémité de la première rallonge jusqu'à ce que le bouton s'engage dans le trou (FIGURE 1-B). Les deux Rallonges devraient maintenant être reliées à l'Injecteur à vapeur.



TÊTE DU BALAI

1. Alignez la Tête du balai et l'extrémité de la deuxième Rallonge, de façon que le trou rectangulaire de la Tête du balai et le bouton bleu de verrouillage/dégagement de la Rallonge soient alignés.
2. Abaissez le bouton bleu de verrouillage/dégagement. Continuez à maintenir le bouton abaissé et faites glisser la Tête du balai sur la Rallonge (FIGURE 2-A). Poussez fermement jusqu'à ce que le bouton s'engage dans le trou (FIGURE 2-B).



TAMPONS EN MICROFIBRE

1. Posez un Tampon en microfibre sur une surface plane, de façon que les deux bandes adhésives soient tournées vers le haut.
2. Placez la Tête du balai au-dessus du Tampon en microfibre. Assurez-vous que la Tête du balai est orientée en fonction du tampon, comme illustré, et aussi bien centrée que possible (FIGURE 3-A).
3. Pressez fermement la Tête du balai contre le Tampon en microfibre. Les bandes adhésives se fixeront aux griffes à tampon sous la Tête du balai. Le Tampon en microfibre devrait maintenant être fixé et prêt à l'emploi (FIGURE 3-B).

MISE EN GARDE: Faites attention quand vous manipulez un Tampon en microfibre qui vient d'être utilisé, car il pourrait être encore chaud.

REMARQUE: Les Tampons en microfibre sont lavables à la machine. Pour qu'ils ne se recouvrent pas de peluches, il est recommandé de les laver séparément. Utilisez seulement du détergent liquide. Évitez d'utiliser un produit assouplissant ou du javellisant. Il est recommandé de les faire sécher à l'air. Vous pouvez aussi les sécher à la machine, à basse température ou au réglage sans chaleur.

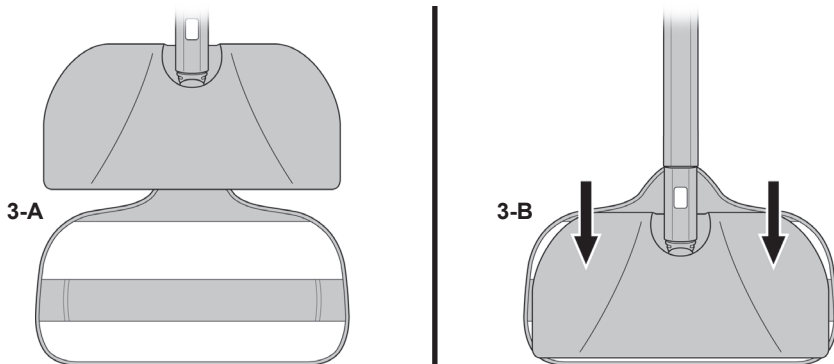


FIGURE 3

La Tête de balai et les Tampons en microfibre conviennent parfaitement à ces planchers à surface dure:

- Bois dur étanche
- Béton teint
- Plancher stratifié étanche
- Linoléum
- Céramique
- Granit
- Marbre
- Vinyle
- Carreaux

IMPORTANT: N'utilisez pas l'appareil sur le bois dur non étanche ou sur la céramique non vitrifiée. Les surfaces qui ne sont pas suffisamment étanches pourraient gauchir ou être endommagées par l'exposition à la chaleur et à la vapeur.

Il faut aussi faire attention lors du nettoyage à la vapeur des planchers en bois dur étanche. En effet, si une zone subit une exposition prolongée à la vapeur, vous risquez de l'endommager et de la décolorer. Pour éviter ce problème, bougez constamment la Tête du balai sur ces surfaces.

La vapeur peut enlever le lustre de certains planchers traités à la cire.

Les planchers qui présentent une texture extrêmement rugueuse peuvent déchirer ou endommager les Tampons en microfibre.



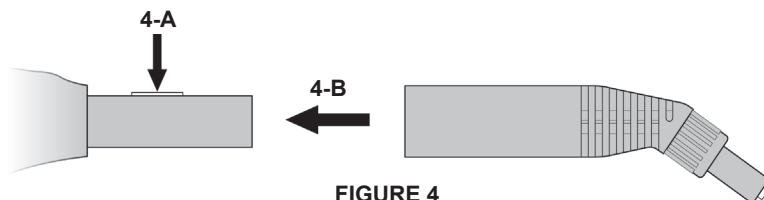
ACCESSOIRES POUR LE NETTOYAGE À LA VAPEUR

AVERTISSEMENT: N'essayez pas de raccorder un accessoire quand l'appareil diffuse de la vapeur.

BUSE DIRECTRICE / RACLOIR / OUTIL DE COIN

1. Choisissez un des trois accessoires (Buse directrice, Racloir ou Outil de coin – la Buse directrice est utilisée dans l'exemple), puis alignez l'extrémité arrière de l'accessoire et l'Injecteur à vapeur. Le trou rectangulaire de l'accessoire choisi et le bouton bleu de verrouillage/dégagement de l'Injecteur à vapeur doivent être alignés.
2. Abaissez le bouton bleu de verrouillage/dégagement (FIGURE 4-A). Continuez à maintenir le bouton abaissé et faites glisser l'accessoire sur l'Injecteur à vapeur (FIGURE 4-B). Poussez l'accessoire par-dessus le bouton et continuez à pousser jusqu'à ce que le bouton s'engage dans le trou rectangulaire.

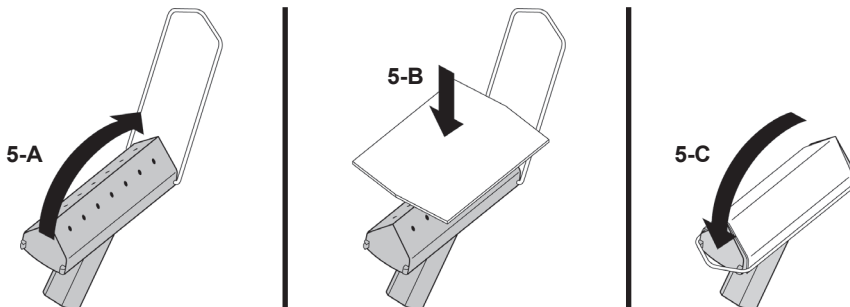
REMARQUE: La Buse directrice, le Racloir et l'Outil de coin peuvent être fixés à l'extrémité d'une Rallonge afin d'atteindre des endroits élevés ou difficiles d'accès. Fixez une ou deux Rallonges, comme expliqué à la page 6, puis raccordez l'accessoire désiré à la Rallonge comme pour le raccorder à l'Injecteur à vapeur.



TAMPONS DE L'OUTIL DE COIN

REMARQUE: Cette procédure s'applique au Tampon nettoyant et au Tampon-éponge de l'Outil de coin.

1. Faites basculer le loquet de l'Outil de coin vers la position ouverte (FIGURE 5-A).
2. Pressez le Tampon désiré contre l'Outil de coin (FIGURE 5-B). Le Tampon doit envelopper le bord en biais, de façon à recouvrir tous les trous de diffusion de vapeur.
3. Continuez à pousser le Tampon contre l'Outil de coin, puis faites basculer le loquet sur le Tampon pour le verrouiller (FIGURE 5-C). Ainsi, le tampon demeurera en place.



BROSSES UTILITAIRES

REMARQUE: Les Brosses utilitaires en nylon et la Brosse utilitaire en cuivre se raccordent toutes de la même façon. Une Brosse utilitaire en nylon apparaît à la FIGURE 6 à titre d'exemple.

1. Alignez la Brosse utilitaire choisie et la Buse directrice. Le repère-guide à l'intérieur de la Brosse utilitaire et la fente-guide de l'extrémité de la Buse directrice doivent être alignés (FIGURE 6-A).
2. Poussez fermement sur la Brosse utilitaire pour y insérer la Buse directrice (FIGURE 6-B).

MISE EN GARDE: Assurez-vous de pousser la Brosse utilitaire aussi loin que possible sur l'extrémité de la Buse directrice afin de la fixer en toute sécurité. Cette mesure empêchera les fuites de vapeur et garantira que la Brosse utilitaire n'est pas éjectée de la Buse directrice par la pression de vapeur.

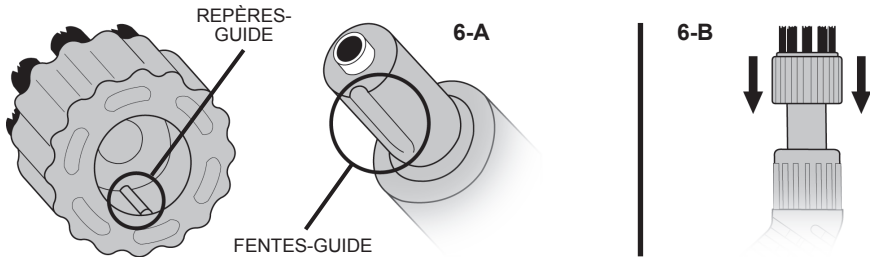


FIGURE 6

OUTIL DE RÉCURAGE

1. Placez le Outil de récurage sur l'extrémité de la Buse directrice, puis appuyez fermement pour le pousser aussi loin que possible sur la Buse directrice (FIGURE 7). Vous éviterez ainsi les fuites de vapeur.
2. Pour enlever le Outil de récurage, agrippez-le fermement, puis retirez-le de la Buse directrice.

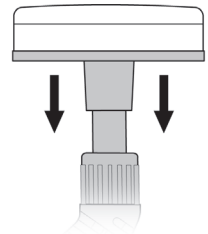


FIGURE 7

COMMANDE D'ACCESSOIRES ET DE PIÈCES

Vous pouvez commander des accessoires et pièces de remplacement pour votre Nettoyeur à vapeur polyvalent (modèle SF-370) en vous rendant sur notre site Web:

www.steamfast.com

Vous pouvez aussi contacter directement le service aux consommateurs:

consumerservice@steamfast.com ou 1-800-711-6617



REPLISSAGE DE L'ÉVAPORATEUR

1. Posez le Nettoyeur à vapeur polyvalent sur une surface plane et horizontale.
2. Assurez-vous que l'Interrupteur lumineux de marche/arrêt est réglé à la position "O" (arrêt) et que le cordon d'alimentation est débranché de la prise électrique.
3. Retirez avec précaution le Bouchon de l'évaporateur en le dévissant dans le sens antihoraire, puis ôtez-le.



MISE EN GARDE: Consultez la procédure de remplissage subséquent ci-dessous pour connaître les mesures de précaution additionnelles à suivre quand vous remplissez l'appareil après vous en être servi.

4. L'Évaporateur doit toujours être vidé après chaque utilisation. S'il n'a pas été vidé après l'utilisation précédente, videz-le maintenant. Il sera ainsi plus facile de le remplir avec la bonne quantité d'eau.
5. Dans la Tasse à mesurer, versez de l'eau jusqu'à la ligne de remplissage maximal (16 oz / 473 ml).

REMARQUE: Afin de réduire considérablement l'accumulation de minéraux et de prolonger la durée de vie de votre Nettoyeur à vapeur polyvalent, il est fortement recommandé d'utiliser de l'eau distillée ou déminéralisée dans l'appareil. Consultez la page 12 pour de plus amples informations sur l'accumulation de minéraux.

6. Versez l'eau de la Tasse à mesurer avec précaution dans l'Évaporateur par l'orifice de remplissage.
7. Selon la durée d'utilisation de la vapeur, vous devrez peut-être répéter les étapes 5 et 6 une ou deux autres fois, jusqu'à un maximum de 48 oz (1420 ml) d'eau. Consultez le tableau pour connaître la durée de production de vapeur en fonction de la quantité d'eau utilisée.

| Quantité d'eau | Durée de la vapeur |
|-----------------|--------------------|
| 16 oz (473 ml) | Environ 15 min |
| 32 oz (946 ml) | Environ 30 min |
| 48 oz (1420 ml) | Environ 45 min |

REMARQUE: Ne dépassez pas la capacité maximale de l'Évaporateur, qui est de 48 oz (1420 ml). Vous obtiendrez ainsi un jet de vapeur optimal et réduirez la quantité d'eau qui peut dégoutter.

8. Remettez le Bouchon de l'évaporateur en le vissant dans le sens horaire pour le serrer. Assurez-vous qu'il est vissé fermement afin d'empêcher que l'eau chaude ou la vapeur s'en échappe.

REPLISSAGE SUBSÉQUENT DE L'ÉVAPORATEUR



Si l'appareil a été utilisé, respectez toujours les mesures de sécurité suivantes avant d'ôter le Bouchon de l'évaporateur pour y ajouter de l'eau:

- Laissez l'appareil refroidir 5 à 10 minutes.
- Maintenez la Gâchette à vapeur enfoncée pour relâcher toute la vapeur restante. **L'évaporateur peut encore contenir de la vapeur sous pression jusqu'à une heure après l'arrêt de son utilisation.**

AVERTISSEMENT: Le non-respect de ces mesures de sécurité peut entraîner des brûlures en raison de la vapeur qui s'échapperait lors du retrait du Bouchon de l'évaporateur.

NETTOYAGE À LA VAPEUR

REMARQUE: Assurez-vous que l'Évaporateur a été rempli et que tous les accessoires nécessaires sont raccordés avant de suivre les prochaines étapes.

1. Avant la première utilisation, enlevez la pellicule en plastique protectrice qui recouvre la fiche électrique. Branchez le cordon d'alimentation dans une prise électrique commodément située.
2. Réglez l'Interrupteur lumineux de marche/arrêt à la position "I" (marche). Le Voyant de chauffage s'allumera immédiatement pour indiquer que l'appareil chauffe.
3. Après environ 2 à 8 minutes (selon la quantité d'eau que contient l'Évaporateur), le Voyant de chauffage s'éteindra pour indiquer que l'appareil a fini de chauffer et qu'il est prêt à produire de la vapeur.
4. Dirigez l'Injecteur à vapeur (et tout accessoire relié) vers la surface que vous désirez nettoyer à la vapeur, puis appuyez sur la Gâchette à vapeur.

MISE EN GARDE: Avant d'appuyer sur la Gâchette à vapeur, assurez-vous toujours que l'Injecteur à vapeur et les autres accessoires sont dirigés de façon sécuritaire (en l'éloignant de vous, des autres personnes, des animaux domestiques et des plantes).

5. Maintenez la Gâchette à vapeur enfoncée pour produire un jet de vapeur continu. Vous pouvez aussi pousser l'Interrupteur de verrouillage de la vapeur vers l'avant tout en appuyant sur la Gâchette à vapeur pour verrouiller celle-ci. Vous obtiendrez ainsi un jet de vapeur continu sans avoir à maintenir manuellement la Gâchette à vapeur enfoncée.
6. Afin d'optimiser le nettoyage, faites un mouvement de va-et-vient pour nettoyer la surface à la vapeur. Essayez les surfaces nettoyées à la vapeur au moyen d'un chiffon propre afin d'enlever la saleté et les souillures qui ont été délogées. Il est recommandé d'essuyer la surface quand elle est encore humide, mais faites preuve de prudence si la surface peut être chaude, comme une surface métallique.

REMARQUE: Pendant le fonctionnement, il est normal que le Voyant de chauffage s'allume. Si vous remarquez que la pression de vapeur diminue, relâchez la Gâchette à vapeur jusqu'à ce que le Voyant de chauffage s'éteigne à nouveau.

7. Pour éliminer efficacement les bactéries et les autres microorganismes, tenez l'Injecteur à vapeur (et tout accessoire relié) à environ 0,5 po (1,25 cm) de la surface, puis appuyez sur la Gâchette à vapeur. Maintenez la Gâchette enfoncée, puis concentrez la vapeur au même endroit pendant au moins 5 secondes.
8. Quand vous avez fini d'utiliser la vapeur, mettez immédiatement l'Interrupteur lumineux de marche/arrêt à la position "O" (arrêt), puis débranchez le cordon d'alimentation avec mise à la terre de la prise électrique. Suivez la procédure décrite à la section **Rangement adéquat** de la page 12 du présent mode d'emploi.

NETTOYAGE DES PLANCHERS À LA VAPEUR

REMARQUE: Assurez-vous que l'Évaporateur a été rempli et que tous les accessoires nécessaires au nettoyage des planchers à la vapeur sont raccordés avant de suivre les prochaines étapes.

Il est recommandé de balayer ou de passer l'aspirateur avant de nettoyer à la vapeur les planchers à surface dure.

1. Suivez les ÉTAPES 1 à 3 de la section **Nettoyage à la vapeur**, ci-dessus.

La page 7 indique les planchers à surface dure pour lesquels le nettoyage avec le Nettoyeur à vapeur polyvalent est recommandé.

2. Pour obtenir les meilleurs résultats, passez l'appareil en le déplaçant sur le plancher de l'avant à l'arrière d'un mouvement régulier, en poussant la Tête du balai pour l'éloigner de vous, puis en la tirant vers vous. Nettoyez le plancher en reculant pour éviter de marcher sur la zone fraîchement nettoyée.

REMARQUE: Pour éviter tout gauchissement ou dommage que pourraient causer la chaleur et l'humidité, n'utilisez pas le balai sur le bois dur non étanche ou sur la céramique non vitrifiée. La vapeur peut enlever le lustre de certains planchers traités à la cire.

3. Pour éliminer efficacement les bactéries et les microorganismes, passez l'appareil à plusieurs reprises sur une petite zone du plancher (environ 3 pi x 3 pi, soit 0,9 m x 0,9 m, pour les meilleurs résultats) pendant au moins 2 minutes.
4. Le Tampon en microfibre absorbera la saleté et l'humidité pendant le nettoyage. Néanmoins, il pourrait rester de l'humidité sur le plancher après que vous avez passé le nettoyeur à vapeur. Dans ce cas, il est recommandé de laisser le plancher sécher à l'air. Vous pouvez diriger un ventilateur sur la zone nettoyée pour accélérer le séchage.



RANGEMENT ADÉQUAT

Il est facile et simple de préparer votre Nettoyeur à vapeur polyvalent pour le rangement. Quand vous avez fini d'utiliser le nettoyeur à vapeur, suivez les étapes ci-dessous.

1. Mettez l'Interrupteur lumineux de marche/arrêt à la position "O" (arrêt), puis débranchez le cordon d'alimentation de la prise électrique.
2. Laissez l'appareil refroidir (30 minutes pour un refroidissement complet).
3. Maintenez la Gâchette à vapeur enfoncée pour relâcher toute la pression de vapeur restante.
4. Retirez tous les accessoires de l'appareil.
5. Dévissez le Bouchon de l'évaporateur et ôtez-le. Dans un lavabo, un évier ou un bain, videz l'eau qui reste dans l'Évaporateur pour réduire au minimum l'accumulation de minéraux et pour empêcher que l'Évaporateur soit trop rempli la prochaine fois. Remettez le Bouchon de l'évaporateur sans le serrer.

REMARQUE: Ne serrez pas trop le Bouchon de l'évaporateur quand vous rangez l'appareil, sinon il pourrait être difficile à enlever lors de la prochaine utilisation.

6. Rangez les accessoires en toute sécurité. Pour votre commodité, les petits accessoires peuvent être rangés dans le compartiment de rangement de l'Enrouleur de cordon.
7. Enroulez lâchement le cordon d'alimentation autour de l'Enrouleur de cordon, puis rangez le Nettoyeur à vapeur polyvalent dans un endroit frais et sec.

NETTOYAGE ET ENTRETIEN

Une mesure d'entretien fréquente pour les appareils à vapeur est l'élimination des accumulations que cause la teneur élevée en minéraux de l'eau fournie par bon nombre de municipalités. Cette accumulation de minéraux peut nuire à l'efficacité de votre Nettoyeur à vapeur polyvalent et abréger sa durée de vie.

La meilleure façon de réduire au minimum l'accumulation de minéraux est d'utiliser de l'eau distillée ou déminéralisée dans votre Nettoyeur à vapeur polyvalent. Si vous ne pouvez pas utiliser d'eau distillée, il est recommandé de suivre mensuellement la procédure ci-dessous afin d'éliminer toute accumulation de minéraux:

Pour éliminer l'accumulation de minéraux:

1. Mettez l'Interrupteur lumineux de marche/arrêt à la position "O" (arrêt), puis débranchez le cordon d'alimentation de la prise électrique.
2. Laissez l'appareil refroidir (30 minutes pour un refroidissement complet).
3. Maintenez la Gâchette à vapeur enfoncée pour relâcher toute la pression de vapeur restante.
4. Retirez tous les accessoires de l'appareil.
5. Dévissez et enlevez le Bouchon de l'évaporateur. Dans un évier, un lavabo ou un bain, videz toute l'eau qui reste dans l'Évaporateur.
6. Remplissez la Tasse à mesurer de 16 oz (474 ml) de vinaigre distillé. Versez le vinaigre avec précaution dans l'Évaporateur.
7. Mélangez doucement ou faites bouger l'appareil pour agiter le vinaigre.
8. Laissez reposer au moins 40 minutes, ou plus longtemps si possible.
9. Videz le vinaigre de l'Évaporateur.
10. Rincez l'Évaporateur à l'eau fraîche, puis videz-le. Répétez cette étape jusqu'à ce que l'odeur de vinaigre se dissipe.
11. Remettez le Bouchon de l'évaporateur sans le serrer, puis suivez la procédure de rangement normale décrite à la section **Rangement adéquat** ci-dessus.



| PROBLÈME | CAUSE POSSIBLE | SOLUTION |
|---|--|---|
| L'appareil ne chauffe pas. L'Interrupteur lumineux de marche/arrêt NE s'allume PAS quand il est réglé à la position "I" (marche). | L'appareil n'est pas branché. | Branchez le cordon d'alimentation dans une prise électrique. |
| | Le disjoncteur de circuit/de fuite à la terre de la résidence a été déclenché ou a fait sauter un fusible. | Réenclenchez le disjoncteur de circuit/ de fuite à la terre, ou remplacez le fusible. Si vous avez besoin d'aide, contactez un électricien compétent. |
| | L'appareil est endommagé ou il doit être réparé. | Cessez immédiatement d'utiliser l'appareil et débranchez-le. Contactez le service aux consommateurs pour obtenir de l'aide (consultez la page 14 pour de plus amples renseignements). |
| L'appareil ne chauffe pas. L'Interrupteur lumineux de marche/arrêt S'ALLUME quand il est réglé à la position "I" (marche). REMARQUE: Patientez toujours suffisamment longtemps pour que l'appareil chauffe avant d'appuyer sur la Gâchette à vapeur. | L'Évaporateur est vide. | Consultez la procédure Remplissage de l'Évaporateur à la page 10 pour savoir comment remplir l'appareil d'eau. |
| | Il y a une accumulation de minéraux dans l'appareil. | Consultez la section Nettoyage et entretien à la page 12 pour de plus amples renseignements. |
| | L'appareil est endommagé ou il doit être réparé. | Cessez immédiatement d'utiliser l'appareil et débranchez-le. Contactez le service aux consommateurs pour obtenir de l'aide (consultez la page 14 pour de plus amples renseignements). |
| L'appareil génère peu de vapeur ou en produit de façon intermittente. | Le niveau d'eau de l'Évaporateur est bas. | Consultez la procédure Remplissage de l'Évaporateur à la page 10 pour savoir comment remplir l'appareil d'eau. |
| | Il y a une accumulation de minéraux dans l'appareil. | Consultez la section Nettoyage et entretien à la page 12 pour de plus amples renseignements. |
| La vapeur contient trop d'eau. REMARQUE: L'appareil produit de la vapeur humide; il est donc normal que la vapeur contienne une certaine quantité d'eau. | L'eau se condense dans le Tuyau à vapeur. | Dirigez l'Injecteur vers un évier, un lavabo, un bain ou le sol, puis secouez-le tout en appuyant sur la Gâchette à vapeur. Continuez pour éliminer l'excès d'eau. |
| | L'Évaporateur est trop rempli. | Si l'Évaporateur contient plus de 48 oz (1420 ml) d'eau, cela nuira à la production de vapeur et entraînera de la condensation d'eau dans la vapeur. Videz une partie de l'eau que contient l'Évaporateur. Utilisez toujours la Tasse à mesurer incluse pour remplir l'Évaporateur avec la bonne quantité d'eau (consultez la page 10 pour de plus amples renseignements). |
| | En chauffant, l'appareil n'a pas atteint sa température de fonctionnement. | Attendez que le Voyant de chauffage s'éteigne avant d'utiliser la vapeur. |
| Les accessoires ne restent pas solidement fixés à l'Injecteur à vapeur ou à la Buse directrice. | Les accessoires ne sont pas installés correctement. | Vérifiez que tous les accessoires sont raccordés conformément aux procédures des pages 6 à 9. |
| La surface du plancher présente des taches ou des traînées après le nettoyage à la vapeur. | Le Tampon en microfibre est sale. | Remplacez le Tampon en microfibre par un tampon propre. |
| | Des résidus d'eau dure se retrouvent sur le plancher. | Utilisez plutôt de l'eau distillée ou déminéralisée. |

**SERVICE AUX CONSOMMATEURS**

En cas de problème avec votre Nettoyeur à vapeur polyvalent, veuillez consulter le guide de dépannage à la page 13. Toute autre demande de renseignements doit être adressée à nos services de soutien aux consommateurs par l'intermédiaire de notre site Web, www.steamfast.com.

Si vous n'avez pas accès à Internet, vous pouvez aussi contacter notre service aux consommateurs par téléphone, au **1-800-711-6617**.

REMARQUE: Afin que nos représentants du service aux consommateurs puissent vous aider aussi rapidement et efficacement que possible, veuillez avoir les renseignements suivants sous la main avant d'appeler:

- Les informations sur l'achat (l'endroit et la date d'achat de ce produit)
- La copie du reçu d'achat ou de la preuve d'achat
- Le numéro de série du produit (vous le trouverez près de l'étiquette des caractéristiques électriques, au bas de l'appareil)
- le code de date (numéro à 4 chiffres figurant sur l'étiquette des caractéristiques électriques, au bas de l'appareil)

Pour tout renseignement à propos de votre garantie limitée de 1 an, reportez-vous à la page 15 du présent mode d'emploi.

CARACTÉRISTIQUES TECHNIQUES DU PRODUIT

| | |
|---------------------------------|--|
| MODÈLE | SF-370 |
| TENSION | 120VAC 60Hz |
| PUISSANCE | 1500W |
| INTENSITÉ DE COURANT | 12,5A |
| CONTENANCE EN EAU | 48 OZ (1420 ML) |
| TEMPS DE CHAUFFAGE | 8 MIN (ENVIRON) |
| DURÉE DE VAPEUR CONTINUE | 45 MIN (ENVIRON) |
| POIDS DE L'APPAREIL | 8,4 LBS (3,8 KG) |
| DIMENSIONS DE L'APPAREIL | 15,4" (39,1 CM) x 12,0" (30,5 CM) x 9,5" (24,1 CM) |
| LONGUEUR DU CORDON | 15,4' (470,0 CM) |



steamfast

Renseignements sur la garantie

GARANTIE LIMITÉE D'UN AN

Steamfast, une division de Vornado Air LLC, ("Steamfast") se porte garante envers l'acheteur ou le client initial de cette Nettoyeur à vapeur polyvalent Steamfast SF-370 (le "Produit") qu'elle soit exempte de tout défaut, matériel et main d'œuvre, pour une période d'un (1) an à compter de la date d'achat. Si un tel défaut est découvert durant la période de garantie, Vornado, à sa discrétion, réparera ou remplacera le Produit sans frais si ce Produit est retourné à Steamfast en port payé. Dans le cas de réparations non couvertes par la présente garantie ou qui ont lieu en dehors de la période de garantie, une redevance couvrant les coûts des matériaux, de manutention et d'expédition sera requise.

Cette garantie ne s'applique pas aux défauts résultant d'un abus du produit, de la modification, de l'altération, de la réparation ou de l'entretien du Produit par une personne autre que Steamfast, d'une mauvaise manipulation, d'un entretien inadéquat, d'une utilisation commerciale du produit, de dommages qui se sont produit lors de l'expédition ou sont attribués à une force majeure.

LA RÉPARATION OU LE REMPLACEMENT TELS QUE PROPOSÉS EN VERTU DE CETTE GARANTIE SONT LE SEUL RECOURS DU CLIENT. STEAMFAST NE POURRA ÊTRE TENUE RESPONSABLE DE TOUS DOMMAGES DIRECTS OU INDIRECTS RÉSULTANT DE LA RUPTURE DE TOUTE GARANTIE, EXPLICITE OU IMPLICITE DE CE PRODUIT. À L'EXCEPTION DE TOUTES LIMITES DE LA LOI APPLICABLE, TOUTE GARANTIE IMPLICITE DE QUALITÉ MARCHANDE OU D'ADAPTATION À UN USAGE PARTICULIER SUR CE PRODUIT EST LIMITÉE À LA DURÉE DE CETTE GARANTIE.

Certains états/provinces interdisent l'exclusion ou la limitation des dommages accessoires ou indirects, ou autorisent les limitations sur la durée d'une garantie implicite, de sorte que les limitations ou exclusions susmentionnées peuvent ne pas s'appliquer à vous. Cette garantie vous donne des droits légaux spécifiques en plus des autres droits que vous pouvez avoir et qui varient d'un état/province à un autre.

Pour toutes questions relatives à la garantie ou au service de réparation, composez le 1-800-711-6617 ou écrivez un courriel à consumerservice@steamfast.com pour recevoir le formulaire d'Autorisation de retour ("AR"). Nous vous prions d'apprêter ou d'inclure le numéro de modèle, le code de date et le numéro de série de votre Produit, ainsi que votre nom, adresse, ville, état/province, code postal et numéro de téléphone lorsque vous communiquez avec Steamfast pour un entretien sous garantie. Vous aurez besoin de fournir votre reçu de vente original. Pour vos dossiers: agrafez ou joignez votre reçu de vente original à ce Guide du propriétaire. Veuillez, également, noter le numéro de série de votre produit ci-dessous (indiqué sur l'autocollant des spécifications du produit).

No de série: _____

Après réception du formulaire AR, expédiez votre Produit à:

Steamfast
Attn: Warranty & Repair
415 East 13th
Andover, KS 67002

Pour garantir un traitement adéquat, les emballages doivent être clairement marqués du numéro AR. Les emballages qui ne sont pas clairement marqués du numéro AR risquent d'être refusés à l'aire de réception.

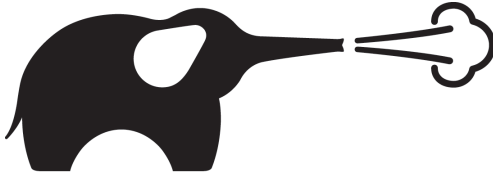
Nous vous prions de prévoir 1-2 semaines pour la réparation et le retour de votre Produit après la réception de celui-ci.

L'enregistrement du produit est disponible en ligne à www.steamfast.com

© 2011 Vornado Air LLC • Andover, KS 67002
Spécifications sujettes à changement sans préavis.
Steamfast® est une marque de Vornado Air LLC.
Fabriqué en Chine.

Service à la Clientèle Steamfast

W: www.steamfast.com | T: 1-800-711-6617 | C: consumerservice@steamfast.com



steamfast

powerful. natural. intelligent.™

évaluer ce produit en ligne
www.steamfast.com/reviews

Steamfast

415 East 13th, Andover, KS 67002

1-800-711-6617 | www.steamfast.com | consumerservice@steamfast.com

Patent D623,366
V110216